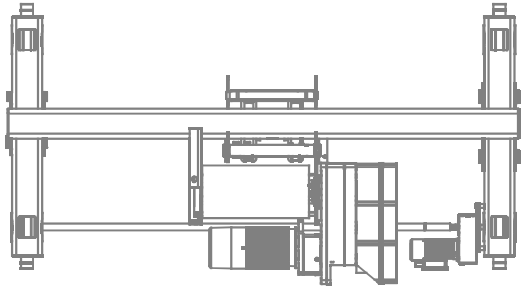


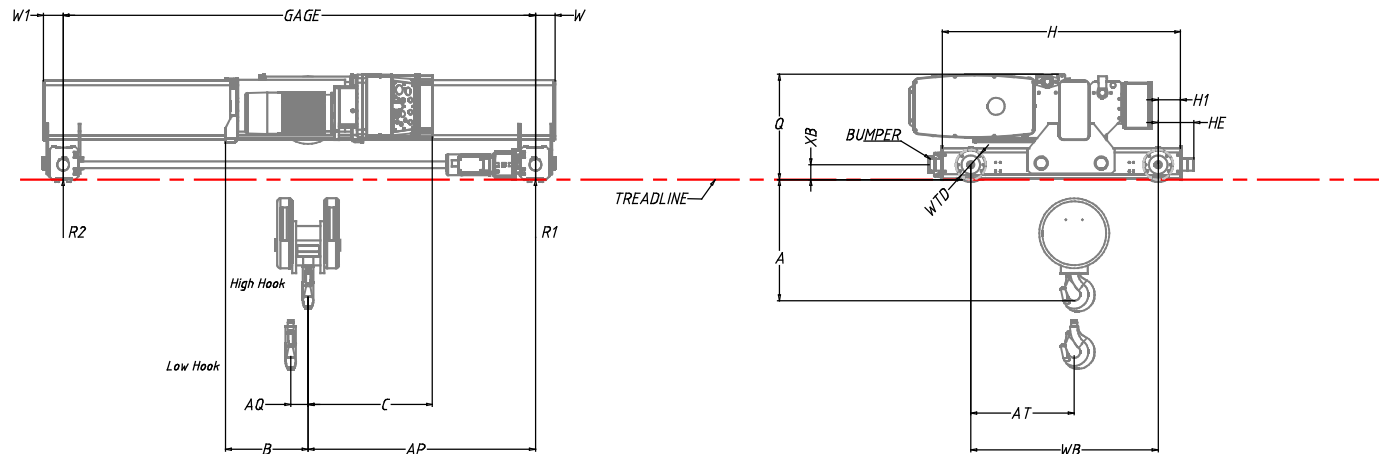
Yale YK Wire Rope Hoist

Top-Running Hoist and Trolley



CATALOG DRAWING - NOT TO SCALE. MAY NOT ACCURATELY REFLECT THE ACTUAL PRODUCT CONFIGURATION

Accurate CAD models of the configured product are available in both 2D and 3D versions.



DIMENSIONAL DATA

A	30.906 INCH	AP	36.657 INCH
B	21.693 INCH	AQ	4.606 INCH
C	32.717 INCH	AT	26.47 INCH
H	62.598 INCH	W	5.24 INCH
H1	5.906 INCH	W1	5.24 INCH
HE	9.37 INCH	WB	49.213 INCH
Q	27.717 INCH	WTD	7.874 INCH
Gage	78 INCH	XB	3.937 INCH

This document was generated by COMPASS®
by Columbus McKinnon Corporation
Getzville, New York USA

This drawing is intended for preliminary reference use only and depicts general clearance dimensions based on standard product configuration. If your application includes specific critical dimensional constraints it is recommended that an Approval Drawing be requested at time of order.

Customer Name: QUOTATIONS CUSTOMER
Quote Number: XDFZ5, Line: 1
Revision Number: 1
Quote Date: 4/3/2020

TECHNICAL DATA

Hoist Model Number	YKE-T25-020S410-2-78
Rated Lift Capacity	25 U.S. Tons
Maximum Lift Distance	20 ft (6.1 m)
Maximum Lifting Speed	10 ft/min (3.1 m/min)
Reeving Style	4-Part Single Reeved
Hoist Control Type	Two-Speed
Hoist Suspension Type	Top Running Trolley
Bridge Rail Size Min. (lb/yd)	25#
Bridge Rail Size Max. (lb/yd)	60#
Trolley Traverse Speed (60Hz)	80 ft/min (24.38 m/min)
Trolley Control Type	Two-Speed
Trolley Bumpers	Included
Hoist Duty Classification	HMI Class H4
Operating Voltage	460V / 3ph / 60Hz
Control Voltage	120 VAC
Trolley Motor HP	2
Trolley Motor Qty	1
Base Weight of Hoist (lbs)	3544.8131

