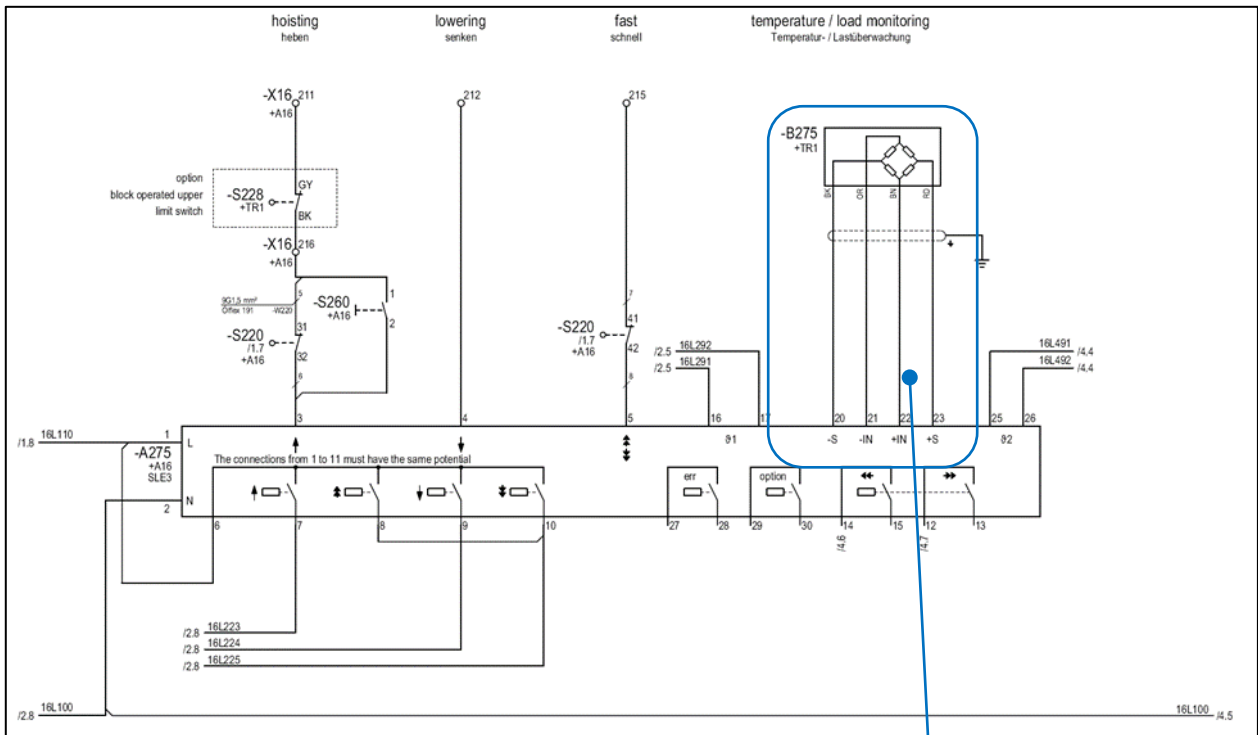
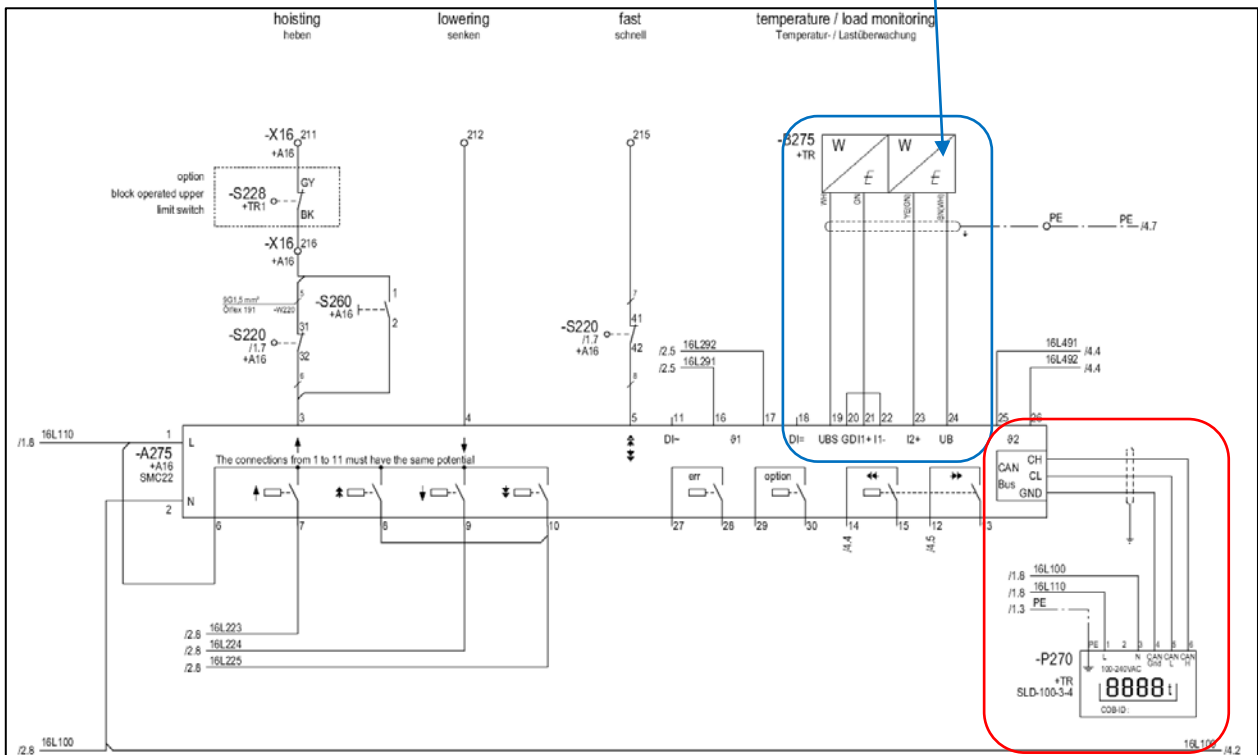


WIRING DIAGRAM SUPPLEMENT REWIRING SLE3 TO SMC22 FOR USE WITH LOAD DISPLAYS

Existing wiring of SLE3 and LCP sensor



Rewiring SLE3 -> SMC22 for load display



Remove B275 LCP sensor and rewire LCD sensor to SMC22 as shown

Wire load display power and CAN Bus cables as shown