

Material Handling Equipment

Pfaff-silberblau industrial trucks are ideal for transporting and stacking loads on pallets in factories.

The comprehensive range of products offers the correct model for numerous applications; be it for different route lengths or degrees of utilization, gradients and ramps or areas with a corrosion hazard.

From pallet trucks, manual stackers to electric stackers and elevating platforms – you will find the appropriate solution.

Load Moving Systems

Yale heavy load moving systems for the safe transportation of heavy loads of up to 100 t.

Products range from separately used load moving skates to complete systems.

INFO

Please note our user instructions at the beginning of each chapter

Table of contents

| | Page |
|--|------------------|
| Hand pallet trucks | 294 - 303 |
| Hand pallet trucks with weighing system | 304 - 305 |
| Scissor pallet trucks | 306 - 307 |
| Electric pallet trucks | 308 - 311 |
| Manual drive stackers | 313 - 319 |
| Electric pedestrian stackers | 320 - 327 |
| Elevating platforms | 328 - 341 |
| Load Moving Systems | 346 - 351 |

PFAFF
silberblau

MATERIAL HANDLING EQUIPMENT



INFO

This user information presents a general review regarding the application of material handling equipment and does not substitute the existing operating instructions for specific industrial trucks and elevating platforms!

Operating industrial trucks as well as lifting operations must be carried out by competent persons. When operated correctly, our products will offer the highest degree of safety, avoid damage to products and people and present a long life expectancy.

Modification of delivery condition

Design and construction of material handling products must not be altered by e.g. assembly of outside supplied components, bending, welding, grinding, cutting-off parts, adding boreholes, removal of safety devices or fitting of attachments.

Limitations of operation

Loading

The rated capacity (WLL) indicated on the product is the maximum load which must not be exceeded.

Transport of people

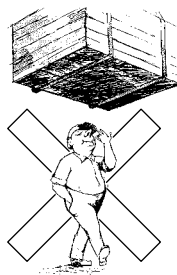
Transport of people with industrial trucks is generally forbidden!

Operation in danger zones

Lifting or transport of loads must be avoided while personnel are in the danger zone.

Do not allow people to stay on or below a raised load.

Do not place hands or feet under the raised fork frame or load on account of the imminent danger of crushing or shearing.



Inspection before starting work

- Prior to starting work, the unit must be inspected for obvious deficiencies and failures. Operational checks must be performed to ensure lifting, lowering and travel operate correctly.
- Check the parking brake is effective and the key switch operates correctly to protect against unauthorised use.
- Load carriage and forks must not show obvious defects (deflections, cracks or other wearing).
- Wheels and tires must not be defective.
- The hydraulic system must be in perfect order (lifting, lowering, density).
- The functional capability of the collision protective device should be checked.
- Battery charging status, fastening and cable connections of the battery as well as battery plug must be inspected for appropriate status as well as the battery cell lids (dry, clean).

INFO

You will find the General Terms and Conditions at the end of the catalogue.

Please note the information on our training courses on page 4.

Application advices

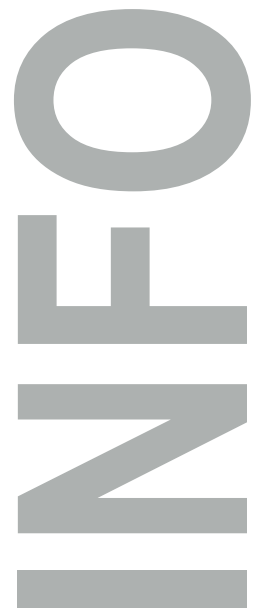
- Our material handling equipment must be operated on in-plant areas only.
- Only use industrial trucks in perfect condition and with legible identity plate.
- Industrial trucks may only be operated by skilled people, who have been instructed (in theory and practice) by the responsible user.
- The travel speed must conform to local conditions.
- Industrial trucks must be operated on flat, level and even ground.
- The operator must make sure that the load unit is in perfect condition and safely attached.
- Pallets may be transported individually only.
- Industrial trucks must not be used as car jacks.
- Industrial trucks must not be used in areas which are not illuminated sufficiently.
- Forks may not be used as levers.
- Loading of just one fork, e.g. for lifting of a machine, is strictly forbidden.
- Industrial trucks may not be operated in direct contact with foodstuffs.
- Never turn the hand lever 90° in order to stop the truck.
- The industrial truck must not be operated in explosive atmospheres (special versions on request).

Maintenance and repair

- To ensure safe operation, all material handling equipment must be subjected to regular inspections according to the maintenance instructions provided by the manufacturer.
- Material handling equipment, which is due for maintenance normally at least once per year, unless adverse working conditions dictate shorter periods.
- Inspections and repairs must be performed by competent persons or specialist workshops that use original spare parts. Inspections and repairs have to be recorded consecutively.

Inspections

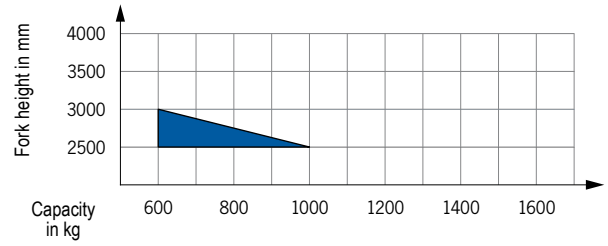
- Inspections are visual and functional and shall establish that the product has not been damaged by incorrect transport or storage. In addition check for damage, wear, corrosion or other deficiencies as well as completeness and function safety devices. Inspections are instigated by the user. Die Prüfungen sind vom Betreiber zu veranlassen.
- Material handling products have to be cleaned prior to inspection. The cleaning procedure must not cause chemical damages (e.g. no acid – embrittlement) no incorrect temperature stress by e.g. flame cleaning or possible concealment of cracks due to excessive material abrasion (sand blasting). We shall be pleased to consult you in this respect!
- **Inspection of fork frame**
The fork frame has to be checked regularly for obvious defects, deformations and cracks as well as wear and corrosion.
- **Inspection of control handle**
The control handle must be checked regularly for obvious defects, deformations, cracks. Moreover, check screws for fixed seat.
- **Inspection of oil level**
Check oil level every six months (oil viscosity 30 Cst at 40°C). At ambient temperature around 0°C we recommend AVILUB RSL 22.
- **Inspection of lubrication and density**
Bolts, axles and push rods should be cleaned and lubricated depending on application with e.g. Shell FD or comparable grease.
- The hydraulic unit has to be checked regularly for density.



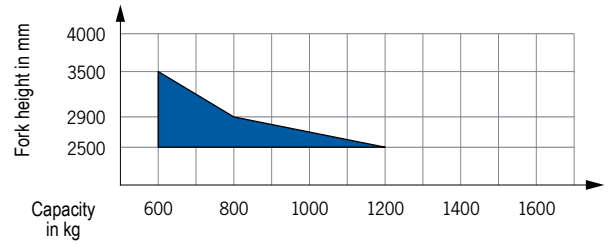
ONE

Load diagrams for residual carrying capacities

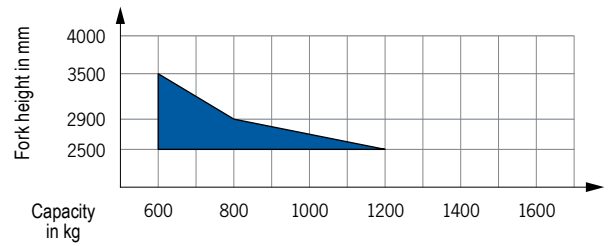
EHH PSE 10-30



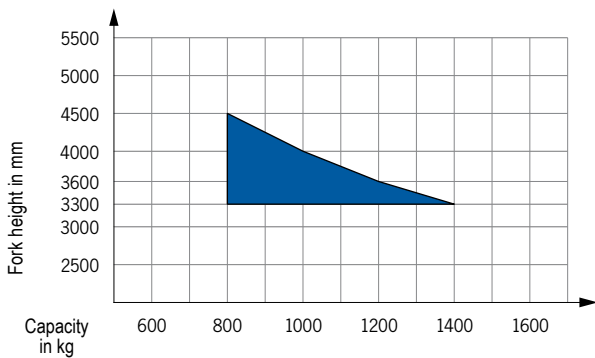
EHH PS 12-25/12-29/12-35



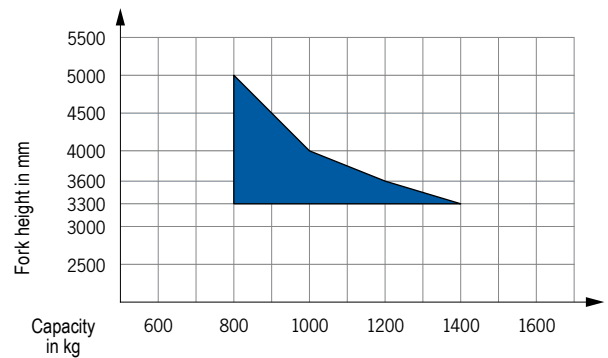
EGV PSL 12-25 II/12-29 II/12-35 II



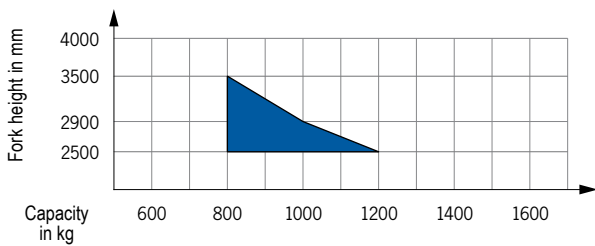
EGV PSH 14-45 T II/14-45 TF II



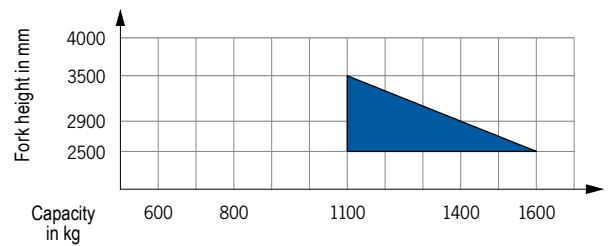
EGV PSH 14-50 T II



EGV PSH 12-25 II/12-29 II/12-35 II



EGV PSH 16-25 II/16-29 II/16-35 II



Technical questionnaire to identify a suitable material handling product

Company: _____ Date: _____

Contact: _____ e-Mail: _____

Phone: _____ Fax: _____

Capacity _____ kg
 Fork height max. _____ mm
 Freelift _____ mm
 Required residual lifting
 capacity _____ mm
 at fork height _____ mm
 Headroom with mast retracted _____ mm

Lifting

- manual-hydraulic
- electric-hydraulic

Drive

- manual
- electric

Transport and stacking of:

- palletised goods
- long goods
- loading lorries

Special requests

Lengths of application per shift

- up to 2 hours
- up to 4 hours
- up to 6 hours
- up to 8 hours

Shifts per day

Drivers platform

- yes
- no





**HU 25-115 TS SILVERLINE
(Tandem rollers)
Hand pallet truck**

**HU 25-115 ES SILVERLINE
(Single rollers)
Hand pallet truck**

Capacity 2500 kg

For the professional transportation of palletised goods and box pallets under demanding conditions.

Features

- Ergonomic safety control handle for one-hand operation of lifting, driving and lowering.
- Ergonomic rubber control handle for safe handling.
- Low maintenance hydraulic pump with hard chromium plated piston.
- Frame and forks in robust steel construction, adjustable connecting rods, especially hardened axles and the high quality powder coating ensure a long life expectancy.



Optional: Parking brake

Technical data HU 25-115 TS SILVERLINE and HU 25-115 ES SILVERLINE

| Model | HU 25-115 TS | HU 25-115 TS | HU 25-115 TS | HU 25-115 TS | HU 25-115 TS | HU 25-115 ES |
|-----------------------------------|--------------|--------------|--------------|--------------|--------------|--------------|
| Art.-No. | N21225460 | N21225461 | N21225462 | N21225463 | N21225464 | N21225220 |
| Capacity, kg | 2500 | 2500 | 2500 | 2500 | 2500 | 2500 |
| Load center c, mm | 600 | 600 | 600 | 600 | 600 | 600 |
| Weight, kg | 70 | 68 | 69 | 65 | 70 | 67 |
| Tyre type ¹ | VG/PA | VG/PUR | PUR/PUR | PA/PA | PUR/PA | VG/PUR |
| Steering rollers, mm | 200 x 50 | 200 x 50 | 200 x 50 | 200 x 50 | 200 x 50 | 200 x 50 |
| Load rollers, mm | 80 x 70 | 80 x 70 | 80 x 70 | 80 x 70 | 80 x 70 | 80 x 93 |
| Number of wheels/load rollers | 2/4 | 2/4 | 2/4 | 2/4 | 2/4 | 2/2 |
| Stroke h3, mm | 115 | 115 | 115 | 115 | 115 | 115 |
| Height of control handle h14, mm | 1230 | 1230 | 1230 | 1230 | 1230 | 1230 |
| Fork height lowered h13, mm | 85 | 85 | 85 | 85 | 85 | 85 |
| Overall length L1, mm | 1555 | 1555 | 1555 | 1555 | 1555 | 1555 |
| Fork height s, mm | 48 | 48 | 48 | 48 | 48 | 48 |
| Fork width e, mm | 160 | 160 | 160 | 160 | 160 | 160 |
| Fork length l, mm | 1150 | 1150 | 1150 | 1150 | 1150 | 1150 |
| Outside dimension of forks b1, mm | 540 | 540 | 540 | 540 | 540 | 540 |
| Inside dimension of forks b3, mm | 220 | 220 | 220 | 220 | 220 | 220 |
| Ground clearance m1, mm | 37 | 37 | 37 | 37 | 37 | 37 |
| Aisle width pallet Ast, mm | 1793 | 1793 | 1793 | 1793 | 1793 | 1793 |
| Turning circle radius Wa, mm | 1275 | 1275 | 1275 | 1275 | 1275 | 1275 |

¹PA... Polyamide, PUR... Polyurethane, VG... Solid rubber

Hand pallet truck SILVERLINE with a wider loading width

Capacity 2000 - 2500 kg

For the professional transportation of special pallets, e.g. brickyard pallets or american pallets.

Features

- Ergonomic safety control handle for one-hand operation of lifting, driving and lowering.
- Ergonomic rubber control handle for safe handling.
- Low maintenance high performance hydraulic pump with hard chromium plated piston and pressure relief valve.
- Frame and forks in robust steel construction, adjustable connecting rods, especially hardened axles and the high quality powder coating ensure a long life expectancy.
- Steering angle of 105 degree to each side for easy handling in confined spaces.



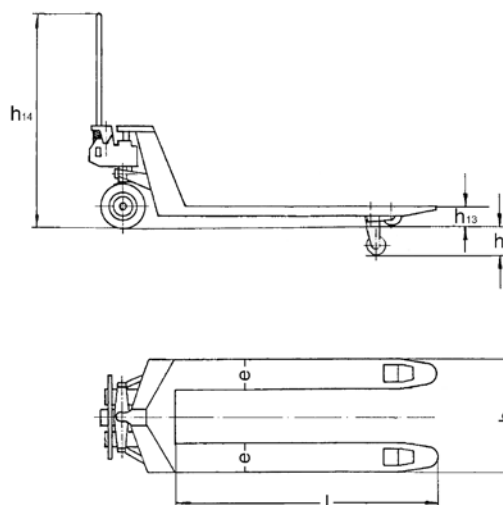
Optional: Parking brake



Technical data hand pallet truck SILVERLINE

| Model | HU 20-115 BTS | HU 25-115 BTS |
|-----------------------------------|---------------|---------------|
| Art.-No. | 34527132 | N21225457 |
| Capacity, kg | 2000 | 2500 |
| Weight, kg | 86 | 73 |
| Tyre type ¹ | VG/PUR | VG/PUR |
| Steering rollers, mm | 200 x 50 | 200 x 50 |
| Load rollers, mm | 82 x 70 | 80 x 70 |
| Stroke h3, mm | 115 | 115 |
| Height of control handle h14, mm | 1200 | 1230 |
| Fork height lowered h13, mm | 85 | 85 |
| Fork width e, mm | 160 | 160 |
| Fork length l, mm | 1150 | 1150 |
| Outside dimension of forks b1, mm | 850 | 685 |

¹PUR... Polyurethane, VG... Solid rubber





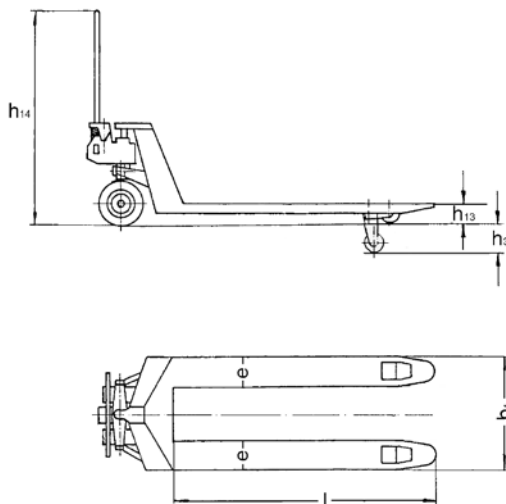
HU 15-115 FTP PROLINE Hand pallet truck with low height forks

Capacity 1500 kg

For the professional transportation of particularly low pallets.

Features

- Ergonomic safety control handle for one-hand operation of lifting, driving and lowering.
- Ergonomic rubber control handle for safe handling.
- Low maintenance high performance hydraulic pump with hard chromium plated piston and pressure relief valve.
- Frame and forks in robust steel construction, adjustable connecting rods, especially hardened axles and the high quality powder coating ensure a long life expectancy.
- Pallet entry height of only 51 mm for easy entry in particularly low pallets.
- Steering angle of 105 degree to each side for easy handling in confined spaces.



Technical data HU 15-115 FTP

| Model | HU 15-115 FTP |
|-----------------------------------|---------------|
| Art.-No. | 34527124 |
| Capacity, kg | 1500 |
| Weight, kg | 84 |
| Tyre type ¹ | PUR/PA |
| Steering rollers, mm | 180 x 50 |
| Load rollers, mm | 50 x 70 |
| Stroke h3, mm | 115 |
| Height of control handle h14, mm | 1200 |
| Fork height lowered h13, mm | 51 |
| Fork width e, mm | 160 |
| Fork length l, mm | 1150 |
| Outside dimension of forks b1, mm | 540 |

¹PUR... Polyurethane, PA... Polyamide

Hand pallet truck PROLINE with short forks

Capacity 2500 kg

For the professional transportation of short palletised goods and box pallets under demanding conditions.

Features

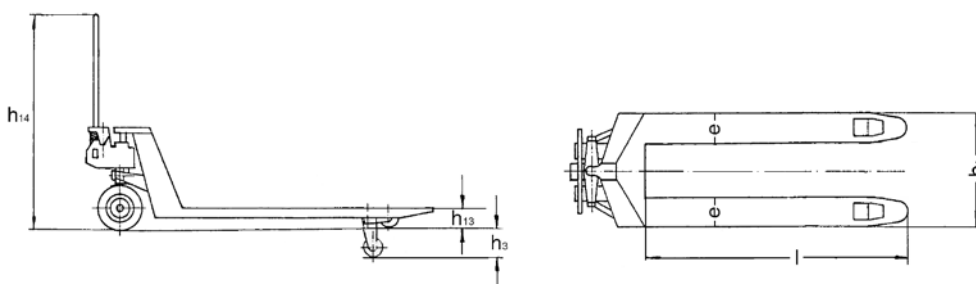
- Ergonomic safety control handle for one-hand operation of lifting, driving and lowering.
- Ergonomic rubber control handle for safe handling.
- Low maintenance high performance hydraulic pump with hard chromium plated piston and pressure relief valve.
- Frame and forks in robust steel construction, adjustable connecting rods, especially hardened axles and the high quality powder coating ensure a long life expectancy.
- Fork lengths from 600 up to 1000 mm for transportation of small loads.
- Steering angle of 105 degree to each side for easy handling in confined spaces.
- Available with tandem (TP) or single rollers (EP).



Technical data hand pallet truck PROLINE with short forks

| Model | HU 25-60 EP | HU 25-80 EP | HU 25-80 TP | HU 25-90 TP | HU 25-100 TP |
|-----------------------------------|-------------|-------------|-------------|-------------|--------------|
| Art.-No. | 40011694 | N21225221 | N21225450 | N21225451 | N21225452 |
| Capacity, kg | 2500 | 2500 | 2500 | 2500 | 2500 |
| Weight, kg | 59 | 63 | 64 | 67 | 66 |
| Tyre type ¹ | VG/PA | VG/PUR | VG/PUR | VG/PUR | VG/PUR |
| Steering rollers, mm | 200 x 50 | 200 x 50 | 200 x 50 | 200 x 50 | 200 x 50 |
| Load rollers, mm | 82 x 70 | 80 x 93 | 80 x 70 | 80 x 70 | 80 x 70 |
| Stroke h3, mm | 115 | 115 | 115 | 115 | 115 |
| Height of control handle h14, mm | 1200 | 1230 | 1230 | 1230 | 1230 |
| Fork height lowered h13, mm | 85 | 85 | 85 | 85 | 85 |
| Fork width e, mm | 160 | 160 | 160 | 160 | 160 |
| Fork length l, mm | 600 | 800 | 800 | 900 | 1000 |
| Outside dimension of forks b1, mm | 540 | 540 | 540 | 540 | 540 |

¹PA... Polyamide, PUR... Polyurethane, VG... Solid rubber



Hand pallet truck PROLINE for heavy loads

Capacity 3000 kg

For the professional transportation of heavy loads.

Features

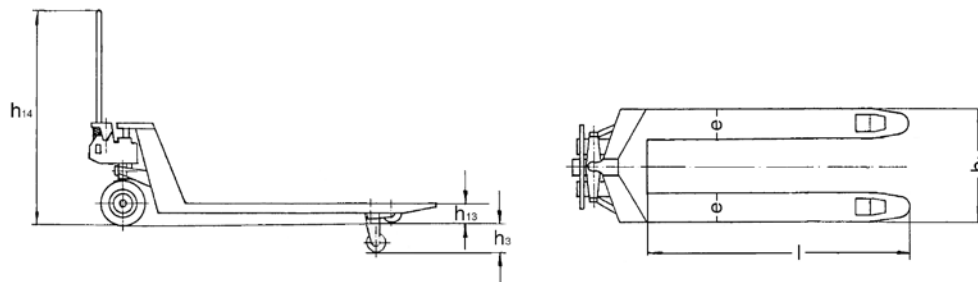
- Ergonomic safety control handle for one-hand operation of lifting, driving and lowering.
- Ergonomic rubber control handle for safe handling.
- Low maintenance high performance hydraulic pump with hard chromium plated piston and pressure relief valve.
- Frame and forks in robust steel construction, adjustable connecting rods, especially hardened axles and the high quality powder coating ensure a long life expectancy.



Technical data HU PROLINE for heavy loads

| Model | HU 30-115 TP |
|-----------------------------------|--------------|
| Art.-No. | N21230415 |
| Capacity, kg | 3000 |
| Weight, kg | 73 |
| Tyre type ¹ | PUR/PUR |
| Steering rollers, mm | 200 x 50 |
| Load rollers, mm | 80 x 70 |
| Stroke h3, mm | 115 |
| Height of control handle h14, mm | 1230 |
| Fork height lowered h13, mm | 85 |
| Fork width e, mm | 160 |
| Fork length l, mm | 1150 |
| Outside dimension of forks b1, mm | 540 |

¹PUR... Polyurethane



Hand pallet truck PROLINE with extended forks

Capacity 2000 - 2500 kg

For the professional transportation of long palletised goods and box pallets under demanding conditions.

Features

- Ergonomic safety control handle for one-hand operation of lifting, driving and lowering.
- Ergonomic rubber control handle for safe handling.
- Low maintenance high performance hydraulic pump with hard chromium plated piston and pressure relief valve.
- Frame and forks in robust steel construction, adjustable connecting rods, especially hardened axles and the high quality powder coating ensure a long life expectancy.
- Fork lengths from 1300 up to 3000 mm for transportation of long and bulky loads.
- Steering angle of 105 degree to each side for easy handling in confined spaces.



Optional: Parking brake

INFO

Driving and parking brake available as option.

Technical data hand pallet truck PROLINE with extended forks

| Model | HU 25-130 TP | HU 20-150 TP | HU 20-180 TP | HU 20-200 TP | HU 20-250 TP |
|-----------------------------------|--------------|--------------|--------------|--------------|--------------|
| Art.-No. | N21225453 | N21225454 | N21225455 | N21225456 | 34527202 |
| Capacity, kg | 2500 | 2000 | 2000 | 2000 | 2000 |
| Weight, kg | 81 | 82 | 92 | 97 | 275 |
| Tyre type ¹ | VG/PUR | VG/PUR | VG/PUR | VG/PUR | PUR/PUR |
| Steering rollers, mm | 200 x 50 | 200 x 50 | 200 x 50 | 200 x 50 | 200 x 50 |
| Load rollers, mm | 80 x 70 | 80 x 70 | 80 x 70 | 80 x 70 | 82 x 70 |
| Stroke h3, mm | 115 | 115 | 115 | 115 | 115 |
| Height of control handle h14, mm | 1230 | 1230 | 1230 | 1230 | 1200 |
| Fork height lowered h13, mm | 85 | 85 | 85 | 85 | 85 |
| Fork width e, mm | 160 | 160 | 160 | 160 | 170 |
| Fork length l, mm | 1300 | 1500 | 1800 | 2000 | 2500 |
| Outside dimension of forks b1, mm | 540 | 540 | 540 | 540 | 550 |

¹PUR... Polyurethane, VG... Solid rubber Other versions available on request.



INFO

With extended forks up to 2000 mm and increased capacity up to 3500 kg.

Hand pallet truck PROLINE with extended forks and increased capacity

Capacity 3000 - 3500 kg

For the professional transportation of long palletised goods and box pallets under demanding conditions.

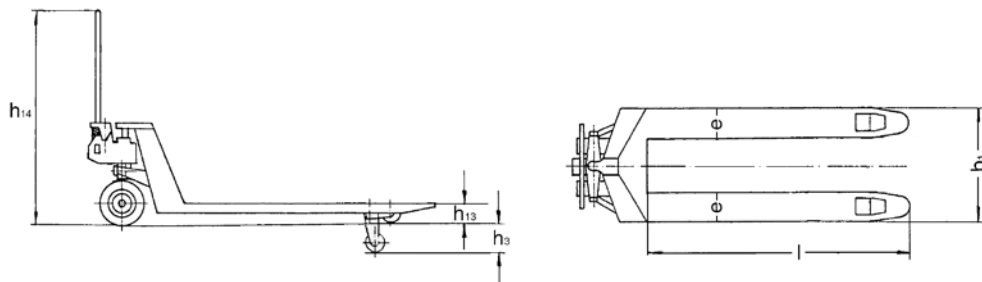
Features

- Ergonomic safety control handle for one-hand operation of lifting, driving and lowering.
- Ergonomic rubber control handle for safe handling.
- Low maintenance high performance hydraulic pump with hard chromium plated piston and pressure relief valve.
- Frame and forks in robust steel construction, adjustable connecting rods, especially hardened axles and the high quality powder coating ensure a long life expectancy.
- Fork lengths from 1500 up to 2000 mm for transportation of long goods.
- Steering angle of 105 degree to each side for easy handling in confined spaces.

Technical data hand pallet truck PROLINE with extended forks and increased capacity

| Model | HU 30-150 TP | HU 35-180 TP | HU 35-200 TP |
|-----------------------------------|--------------|--------------|--------------|
| Art.-No. | 34527204 | 34527205 | 34527206 |
| Capacity, kg | 3000 | 3500 | 3500 |
| Weight, kg | 121 | 139 | 148 |
| Tyre type ¹ | PUR/PUR | PUR/PUR | PUR/PUR |
| Steering rollers, mm | 200 x 50 | 200 x 50 | 200 x 50 |
| Load rollers, mm | 82 x 70 | 82 x 70 | 82 x 70 |
| Stroke h3, mm | 115 | 115 | 115 |
| Height of control handle h14, mm | 1200 | 1200 | 1200 |
| Fork height lowered h13, mm | 85 | 85 | 85 |
| Fork width e, mm | 160 | 170 | 170 |
| Fork length l, mm | 1500 | 1800 | 2000 |
| Outside dimension of forks b1, mm | 540 | 550 | 550 |

¹PUR... Polyurethane



HU 20-115 QLTP PROLINE Hand pallet truck with quick-lift

Capacity 2000 kg

For quick lifting and professional transportation of palletised goods and box pallets under demanding conditions.

Features

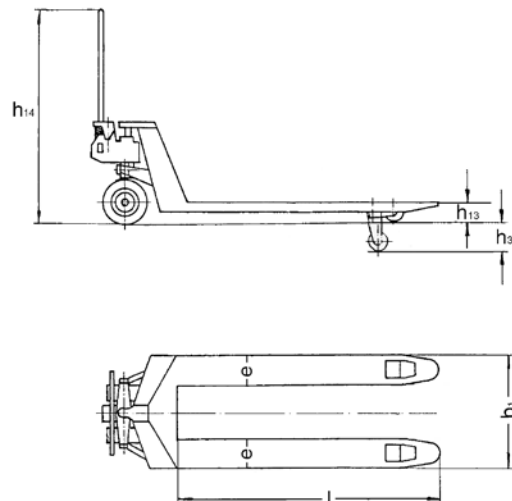
- Ergonomic safety control handle for one-hand operation of lifting, driving and lowering.
- Ergonomic rubber control handle for safe handling.
- Low maintenance high performance hydraulic pump with hard chromium plated piston and pressure relief valve.
- Quick-lift function for loads up to 200 kg for quick lifting of the load.
- Frame and forks in robust steel construction, adjustable connecting rods, especially hardened axles and the high quality powder coating ensure a long life expectancy.
- Steering angle of 105 degree to each side for easy handling in confined spaces.



Technical data HU 20-115 QLTP

| Model | HU 20-115 QLTP |
|-----------------------------------|----------------|
| Art.-No. | N21225458 |
| Capacity, kg | 2000 |
| Weight, kg | 86 |
| Tyre type ¹ | VG/PUR |
| Steering rollers, mm | 200 x 50 |
| Load rollers, mm | 82 x 70 |
| Stroke h3, mm | 115 |
| Height of control handle h14, mm | 1200 |
| Fork height lowered h13, mm | 85 |
| Fork width e, mm | 160 |
| Fork length l, mm | 1150 |
| Outside dimension of forks b1, mm | 540 |

¹PUR... Polyurethane, VG... Solid rubber





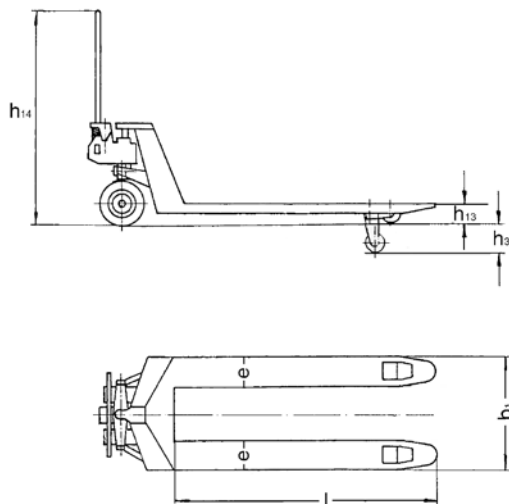
HU 25-115 FBTP PROLINE Hand pallet truck with driving and parking brake

Capacity 2500 kg

For the professional transportation of palletised goods and box pallets, on ramps, ascending slopes and on lorries.

Features

- Ergonomic safety control handle for one-hand operation of lifting, driving and lowering.
- Ergonomic rubber control handle for safe handling.
- Driving and park brake comfortably operated from the control handle.
- Low maintenance high performance hydraulic pump with hard chromium plated piston and pressure relief valve.
- Frame and forks in robust steel construction, adjustable connecting rods, especially hardened axles and the high quality powder coating ensure a long life expectancy.
- Steering angle of 105 degree to each side for easy handling in confined spaces.



Technical data 25-115 FBTP

| Model | HU 25-115 FBTP |
|-----------------------------------|----------------|
| Art.-No. | 34527135 |
| Capacity, kg | 2500 |
| Weight, kg | 86 |
| Tyre type ¹ | VG/PUR |
| Steering rollers, mm | 180 x 50 |
| Load rollers, mm | 82 x 70 |
| Stroke h3, mm | 115 |
| Height of control handle h14, mm | 1200 |
| Fork height lowered h13, mm | 85 |
| Fork width e, mm | 160 |
| Fork length l, mm | 1150 |
| Outside dimension of forks b1, mm | 540 |

¹PUR... Polyurethane, VG... Solid rubber

HU 20-115 VATP PROLINE Hand pallet truck stainless steel version

Capacity 2000 kg

For the professional transportation of palletised goods in corrosive areas.

Features

- Ergonomic safety control handle for one-hand operation of lifting, driving and lowering.
- Low maintenance high performance hydraulic pump with hard chromium plated piston and pressure relief valve. Hydraulic unit made of stainless steel resp. bronze.
- Frame, adjustable connecting rods, bolts and the torsion tube are made of high quality stainless steel.
- Steering angle of 105 degree to each side for easy handling in confined spaces.



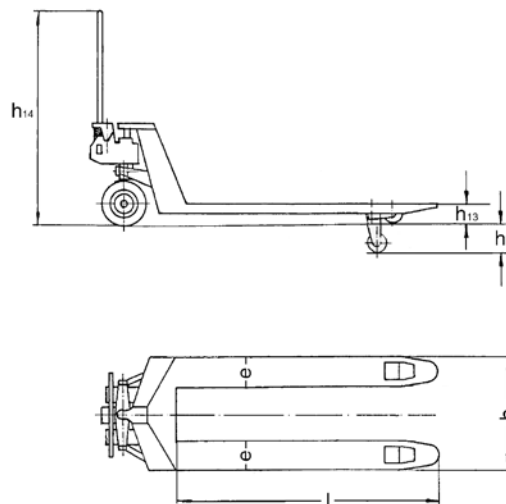
INFO

The operator is responsible for an analysis of the working conditions in order to assess the suitability of the hand pallet truck.

Technical data HU stainless steel version

| Model | HU 20-115 VATP |
|--|----------------|
| Art.-No. | 40005740 |
| Material | V4A/316 |
| Capacity, kg | 2000 |
| Weight, kg | 86 |
| Tyre type ¹ | PA/PA |
| Steering rollers, mm | 200 x 50 |
| Load rollers, mm | 82 x 70 |
| Stroke h ₃ , mm | 115 |
| Height of control handle h ₁₄ , mm | 1200 |
| Fork height lowered h ₁₃ , mm | 85 |
| Fork width e, mm | 160 |
| Fork length l, mm | 1150 |
| Outside dimension of forks b ₁ , mm | 540 |

¹PA... Polyamide



Ex-version available!
We are pleased to send you our new
Atex catalogue in PDF format.



HU W-20 GL GREENLINE Hand pallet truck with weighing system

Capacity 2000 kg

For transportation and weighing of palletised goods and box pallets. For simple weighing jobs and a rough calculation of total weights, e.g. when loading lorries.

Features

- Ergonomic safety control handle for one-hand operation of lifting, driving and lowering
- Measuring range from 0 up to 2000 kg in 1 kg steps
- Easy to read LCD display
- Accuracy: 0.2% of the end value

Scope of delivery

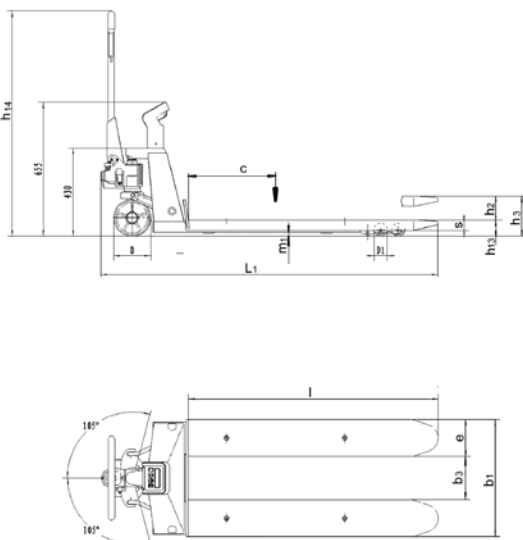
- Integrated battery and charger



Technical data HU W 20 GL

| Model | HU W 20 GL |
|-----------------------------------|--------------------|
| Art.-No. | N21220630 |
| Capacity, kg | 2000 |
| Load center c, mm | 600 |
| Weight, kg | 110 |
| Tyre type ¹ | PUR/PUR |
| Steering rollers D, mm | 200 x 50 |
| Load rollers D1, mm | 80 x 57 |
| Number of wheels/load rollers | 2/4 |
| Stroke h2, mm | 115 |
| Lifting height h3, mm | 200 |
| Height of control handle h14, mm | 1235 |
| Fork height lowered h13, mm | 85 |
| Overall length L1, mm | 1570 |
| Fork height s, mm | 50 |
| Fork width e, mm | 180 |
| Fork length l, mm | 1150 |
| Outside dimension of forks b1, mm | 555 |
| Ground clearance m1, mm | 35 |
| Turning circle radius, mm | 1330 |
| Ambient temperature | -5 °C up to +40 °C |

¹PUR... Polyurethane



HU W-20 G GREENLINE Hand pallet truck with weighing system

Capacity 2000 kg

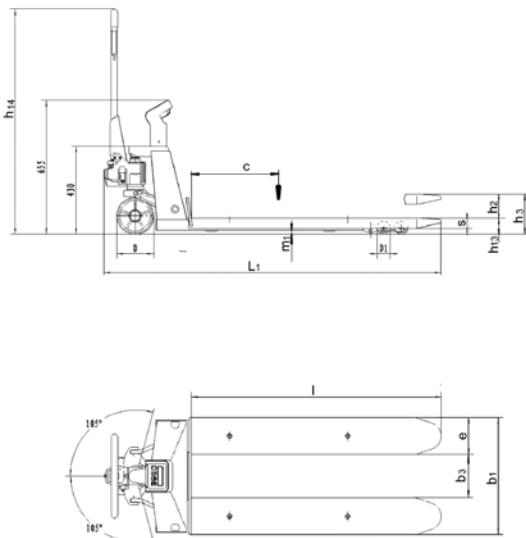
For transportation and weighing of palletised goods and box pallets.

Features

- Ergonomic safety control handle for one-hand operation of lifting, driving and lowering.
- Large keypad for easy and convenient operation.
- Measuring range from 0 up to 2000 kg in 0.2 kg steps.
- Easy to read LCD display.
- Accuracy $\pm 0.1\%$ of the end value.
- Protection IP55

Scope of delivery

- Integrated battery and charger



Technical data HU W-20 G

| Model | HU W-20 G |
|-----------------------------------|------------------|
| Art.-No. | N21220640 |
| Capacity, kg | 2000 |
| Load center c, mm | 600 |
| Weight, kg | 115 |
| Tyre type ¹ | PUR/PUR |
| Steering rollers D, mm | 200 x 50 |
| Load rollers D1, mm | 80 x 57 |
| Number of wheels/load rollers | 2/4 |
| Stroke h2, mm | 115 |
| Lifting height h3, mm | 200 |
| Height of control handle h14, mm | 1235 |
| Fork height lowered h13, mm | 85 |
| Overall length L1, mm | 1570 |
| Fork height s, mm | 50 |
| Fork width e, mm | 180 |
| Fork length l, mm | 1150 |
| Outside dimension of forks b1, mm | 555 |
| Ground clearance m1, mm | 35 |
| Turning circle radius, mm | 1330 |
| Ambient temperature | -5°C up to +40°C |

¹PUR ... Polyurethane



HU HS 10 B Scissor pallet truck with manual-hydraulic lift

**Capacity 1000 kg,
Fork height max. 800 mm**

A combination of hand pallet truck and elevating platform for the transport and raising of palletised loads to various departments.

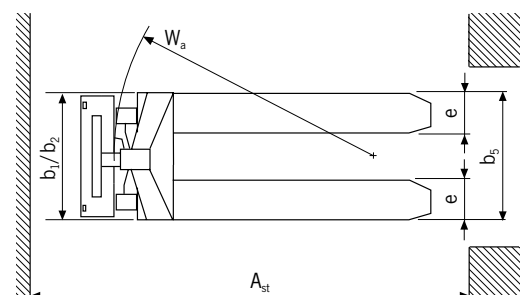
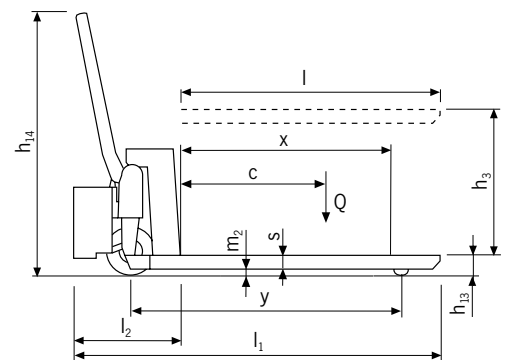
Features

- Safety control handle with the functions: Quick-lift - lifting - lowering.
- Lowering speed can be finely metered for sensitive lowering of the load.
- One-stage hydraulic for increased robustness.
- Overload protection by pressure relief valve.
- Safety supports guarantee sure standing when the forks are raised.
- Low noise and smooth running with standard tyres: steer rollers and load rollers – polyurethane.

Technical data HU HS 10 B

| Model | HU HS 10 B |
|--|------------|
| Art.-No. | N26600020 |
| Capacity Q, kg | 1000 |
| Load center c, mm | 600 |
| Weight, kg | 122 |
| Tyre type ¹ | PUR/PUR |
| Steering rollers, mm | 180 x 50 |
| Load rollers, mm | 75 x 50 |
| Number of wheels/load rollers | 2/2 |
| Stroke h ₃ , mm | 715 |
| Height of control handle max. h ₁₄ , mm | 1254 |
| Fork height lowered h ₁₃ , mm | 85 |
| Overall length l ₁ , mm | 1725 |
| Overall width b ₁ /b ₂ , mm | 575 |
| Fork height s, mm | 45 |
| Fork width e, mm | 160 |
| Fork length l, mm | 1170 |
| Outside dimension of forks b ₅ , mm | 540 |
| Ground clearance, wheelbase centre m ₂ , mm | 18 |
| Aisle width pallet A _{st} , mm | 1986 |
| Turning circle radius W _a , mm | 1564 |

¹PUR ... Polyurethane



HU ES 10 B Scissor pallet truck with electric-hydraulic lift

Capacity 1000 kg,
Fork height max. 800 mm

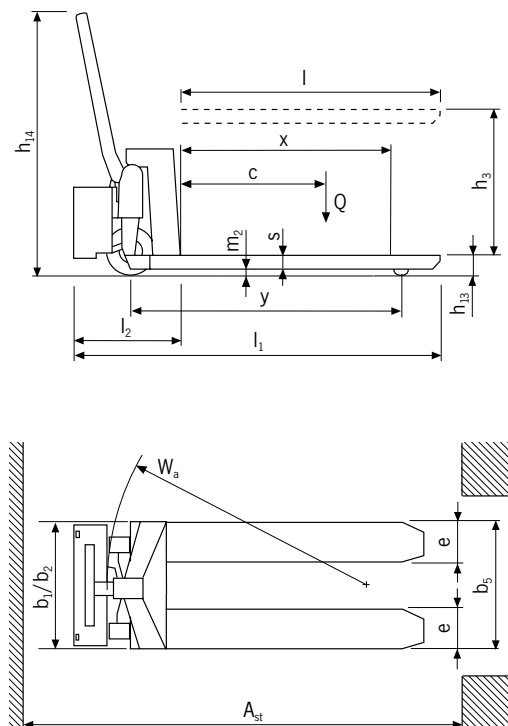
The HU ES 10 B increases the usefulness of the HU HS 10 B by saving operating time for demanding applications with frequent lifting and lowering operations.

Features

- Ergonomic control button for the hydraulic unit fitted in the handle.
- In case of a battery failure the manual use of lifting and lowering is still guaranteed.
- Quick electric-hydraulic lifting of the load, pressure relief valve protects against overloading.
- Low noise and smooth running due to polyurethane steering and load rollers as standard.
- Additional tilting protection for the load rollers.

Scope of delivery

- Battery and integrated battery charger



Technical data HU ES 10 B

| Model | HU ES 10 B |
|---|------------|
| Art.-No. | N26900020 |
| Capacity Q, kg | 1000 |
| Load center c, mm | 600 |
| Weight, kg | 152 |
| Tyre type ¹ | PUR/PUR |
| Steering rollers, mm | 180 x 50 |
| Load rollers, mm | 75 x 50 |
| Number of wheels/load rollers | 2/2 |
| Stroke h3, mm | 715 |
| Height of control handle max. h14, mm | 1254 |
| Fork height lowered h13, mm | 85 |
| Overall length l1, mm | 1715 |
| Overall width b1/b2, mm | 575 |
| Fork height s, mm | 45 |
| Fork width e, mm | 160 |
| Fork length l, mm | 1170 |
| Outside dimension of forks b5, mm | 540 |
| Ground clearance, wheelbase centre m2, mm | 18 |
| Aisle width pallet Ast, mm | 1986 |
| Turning circle radius Wa, mm | 1564 |
| Battery charger, V/A | 220/6 |
| Battery voltage, capacity K5, V/Ah | 12/52 |

¹PUR... Polyurethane



EGU 15 E *Li-ION* Electric pallet truck

Capacity 1500 kg

Ideal for internal transport of palletised goods on even ground, covering short to medium distances.

The EGU 15 E is the new generation of electric pallet trucks. With its compact dimensions and new Lithium battery, it is an ideal alternative to the standard pallet truck and, with only 123 kg service weight the perfect driving device on a truck.

Supplied as standard with a replaceable battery the discharged battery can be exchanged with a fully charged battery within seconds, minimising the amount of disruption to the work cycle. Charging time for the battery is only 2.5 hours.

Features

- Maintenance-free rechargeable Lithium battery
- Integrated battery management system controls all important parameters and performance of the lithium battery.
- Charging time of only 2.5 hours, intermediate charge is possible
- Integrated PIN code panel with LCD display
- Curtis-Controller and CAN-Bus technology
- Infinitely variable driving speed
- External battery charger for charging with a 230 V plug socket
- Battery charge indicator and operating hour counter
- Entry rollers ensure smooth entry into bottom-boarded pallets

Scope of delivery

- Maintenance free rechargeable Lithium battery 24 Volt/20Ah (30 or 36Ah as option)
- External charger

Li-ION Akku

This battery offers much longer operational periods and overall lifetime with shorter charges.

- The Li-ION battery has a lifespan of up to 3000 charging cycles.
- Charging time of only 2.5 hours.
- Intermediate charge is possible without affecting the lifetime of the battery.
- No loss of power when the battery charge state drops.



Optional: replaceable battery with 20Ah, 30Ah or 36Ah

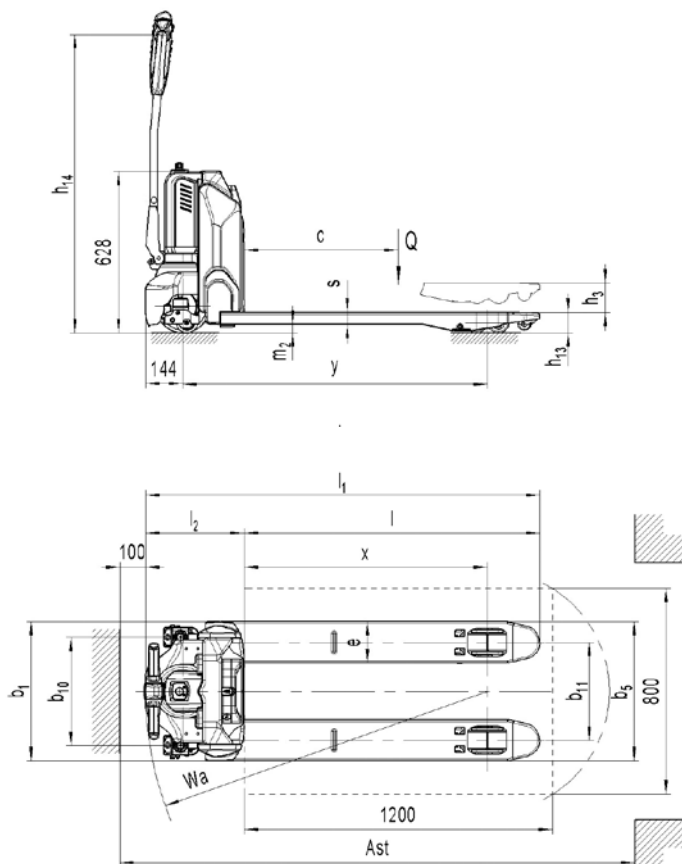


Fast battery change – with a single touch

Technical data EGU 15 E Li-ION

| Model | EGU 15 E <i>Li-ION</i> |
|--|------------------------|
| Art.-No. | N23315461 |
| Capacity, kg | 1500 |
| Tyre type wheels/load rollers ¹ | PUR/PUR |
| Steering rollers l x d, mm | 210 x 70 |
| Load rollers l x d, mm | 80 x 93 |
| Number of wheels/load rollers (x=driven) | 2 + 1x/4 |
| Stroke h3, mm | 115 |
| Load center c, mm | 600 |
| Fork height max., mm | 195 |
| Fork height lowered h13, mm | 85 |
| Height of control handle h14, mm | 1160 |
| Overall length l1, mm | 1530 |
| Overall width b1, mm | 540 |
| Fork dimensions s/e/l, mm | 47 x 160 x 1150 |
| Outside dimension of forks b5, mm | 540 |
| Aisle width pallet Ast, mm | 2000 |
| Turning circle radius Wa, mm | 1330 |
| Actuation | electric |
| Operation | pedestrian |
| Travel speed with/without load, km/h | 4.6/4.8 |
| Lifting speed with/without load, m/s | 0.020/0.025 |
| Lowering speed with/without load, m/s | 0.05/0.04 |
| Gradient with/without load, % | 5/10 |
| Drive motor rating, kW | 0.65 |
| Hoist motor rating, kW | 0.5 |
| Service brake | electric |
| Battery | Li-ION |
| Battery voltage, V/Ah | 24/20 |
| Weight with battery, kg | 123 |

¹PUR... Polyurethane





EGU PS 14 Electric pallet truck

Capacity 1400kg

Electrical drive, electrical lifting

Ideal for the transportation of palletised goods within a warehouse environment.

Due to the extremely small turning circle it is also ideal for working on ramps or taking along on a lorry. The powerful motor allows fast operation.

The truck is available in three versions:

EGU PS 14 Basic

EGU PS 14 Plus und

EGU PS 14 *Li-ION*

Features

- Reduced dimensions: L2 only 410 mm.
- Creep speed button for pin-point work in confined spaces
- Reliable impulse control for stepless regulation of driving speed
- Integrated battery charger for charging on a 230 V plug socket
- Digital display for battery status

EGU PS 14 Basic

The unit is supplied with a DC traction motor and a tubular steel drawbar with integrated controls. The Basic version is the entry level model.

EGU PS 14 Plus

The Plus Version with the powerful Gel battery gives a plus in capacity and a longer battery life. The Plus also includes a maintenance-friendly AC traction motor with reduced power consumption and higher driving speed. The ergonomically designed multifunctional drawbar contains all operating and control functions, such as hour meter and charging indicator.

EGU PS 14 *Li-ION*

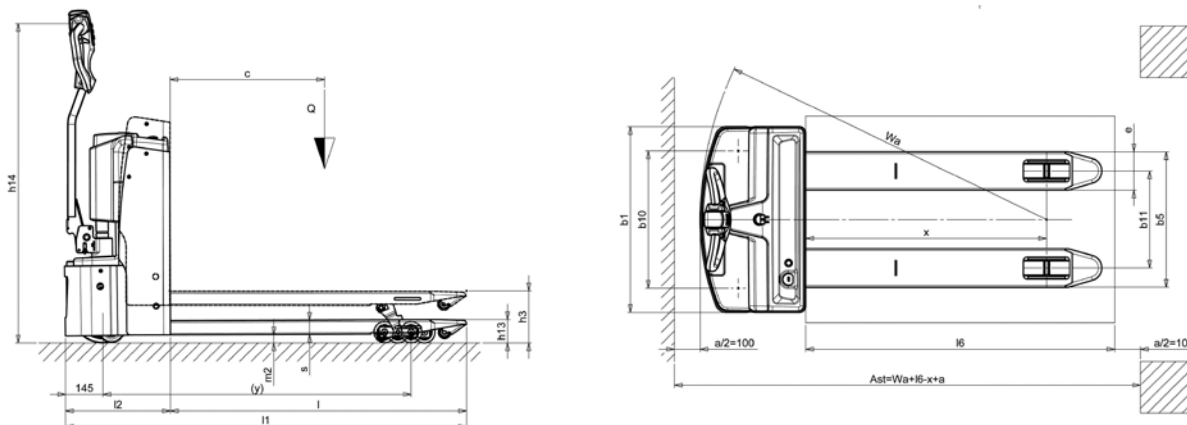
These versions offers much longer operational periods and overall lifetime of the battery with shorter charges.

- The Li-ION battery has a lifespan of up to 3000 charging cycles.
- Charging time of only 2.5 hours.
- Intermediate charge is possible without affecting the lifetime of the battery.
- No loss of power when the battery charge state drops.

Technical data EGU PS 14

| Model | EGU PS 14 Basic | EGU PS 14 Plus | EGU PS 14 <i>Li-ION</i> |
|--|---------------------|---------------------|-------------------------|
| Art.-No. | 192062096 | 192062097 | 192062098 |
| Capacity, kg | 1400 | 1400 | 1400 |
| Tyre type wheels/load rollers ¹ | VG/PUR | VG/PUR | VG/PUR |
| Steering rollers l x d, mm | 250 x 76 + 100 x 40 | 250 x 76 + 100 x 40 | 250 x 76 + 100 x 40 |
| Load rollers l x d, mm | 82 x 80 | 82 x 80 | 82 x 80 |
| Number of wheels/load rollers (x=driven) | 2 + 1x/2 | 2 + 1x/2 | 2 + 1x/2 |
| Wheelbase Y, mm | 1196 | 1196 | 1196 |
| Stroke h2, mm | 115 | 115 | 115 |
| Load center c, mm | 600 | 600 | 600 |
| Fork height max. h3, mm | 200 | 200 | 200 |
| Fork height lowered, mm | 85 | 85 | 85 |
| Height of control handle max., mm | 1230 | 1230 | 1230 |
| Overall length L, mm | 1560 | 1560 | 1560 |
| Length incl. apron L2, mm | 410 | 410 | 410 |
| Overall width B, mm | 720 | 720 | 720 |
| Fork dimensions s1/n/l, mm | 50 x 150 x 1150 | 50 x 150 x 1150 | 50 x 150 x 1150 |
| Outside dimension of forks m, mm | 525 | 525 | 525 |
| Aisle width pallet Ast, mm | 1810 | 1810 | 1810 |
| Turning circle radius Wa, mm | 1345 | 1345 | 1345 |
| Actuation | electric | electric | electric |
| Operation | pedestrian | pedestrian | pedestrian |
| Travel speed with/without load, km/h | 4.4/4.8 | 6.0/6.0 | 6.0/6.0 |
| Lifting speed with/without load, m/s | 0.03/0.04 | 0.03/0.04 | 0.03/0.04 |
| Lowering speed with/without load, m/s | 0.05/0.04 | 0.05/0.04 | 0.05/0.04 |
| Gradient with/without load, % | 5/10 | 5/10 | 5/10 |
| Drive motor rating, kW | 0.7 | 0.7 | 0.7 |
| Hoist motor rating, kW | 1.0 | 1.0 | 1.0 |
| Service brake | electric | electric | electric |
| Battery | starter | Gel | Li-ION |
| Battery voltage 20 h, in V/Ah | 24/70 | 24/65 | 24/50 |
| Weight with battery, kg | 227 | 256 | 212 |

¹VG ... Solid rubber, PUR ... Polyurethane



*Our top seller
with over half a million
units sold!*

Ergonomically designed control handle
with rubber coating for better grip

Infinitely variable
lowering speed

Reinforced construction
for greater stability

Fork entry rollers make easy entry
into the wide side of Euro pallets

Galvanized,
maintenance-friendly,
and extremely durable hydraulic
unit with integral reservoir.
The enclosed hydraulic system
protects against damage.

5 different tyre combinations
to suit all your needs

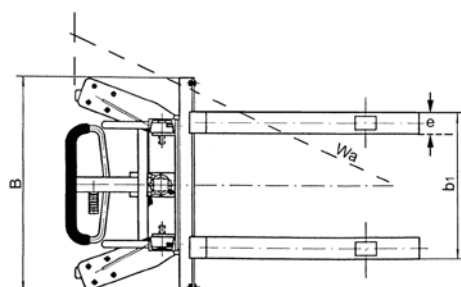
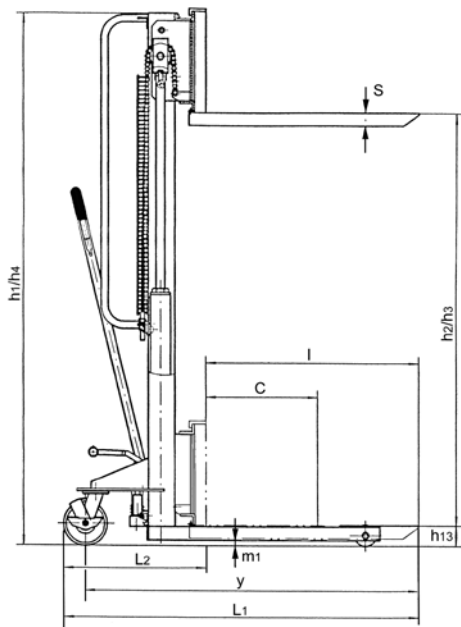
HV 0516 Manual drive stacker

Capacity 500 kg

Ideal for the occasional, internal application of stacking and transporting of palletised goods, loading and unloading of shelves and lorries.

Features

- Ergonomic safety control handle for one-hand operation of lifting, driving and lowering.
- Handlebars for easy operation.
- Lowering speed can be finely metered for sensitive lowering of the load.
- Single-acting hand pump with increased lift per handle stroke.
- Robust mast construction with hard chromium plated piston.
- Steering roller with brake for safe parking of the hand stacker.



Technical data HV 0516

| Model | HV 0516 |
|--|----------|
| Art.-No. | 40005551 |
| Capacity, kg | 500 |
| Load center c, mm | 600 |
| Wheelbase y, mm | 1630 |
| Weight, kg | 160 |
| Tyre type ¹ | PA/PUR |
| Steering rollers, mm | 145 x 40 |
| Load rollers, mm | 80 x 35 |
| Number of wheels/load rollers | 2/2 |
| Height, mast retracted h1, mm | 1960 |
| Freelift h2, mm | 1520 |
| Stroke h3, mm | 1520 |
| Height, mast extended h4, mm | 2000 |
| Lifting height max. h3 + h13, mm | 1600 |
| Fork height lowered h13, mm | 90 |
| Overall length L1, mm | 1750 |
| Length incl. apron L2, mm | 480 |
| Overall width B, mm | 830 |
| Fork height s, mm | 50 |
| Fork width e, mm | 120 |
| Fork length l, mm | 1150 |
| Outside dimension of forks adjustable up to b1, mm | 270/810 |
| Ground clearance m1, mm | 25 |
| Turning circle radius Wa, mm | 1500 |
| Lift per one crank rotation with/without load, mm | 20/45 |

¹PA... Polyamide, PUR... Polyurethane



HV 1008 and HV 1016 Manual drive stacker

Capacity 1000 kg

Ideal for the occasional, internal application of stacking and transporting of palletised goods.

Features

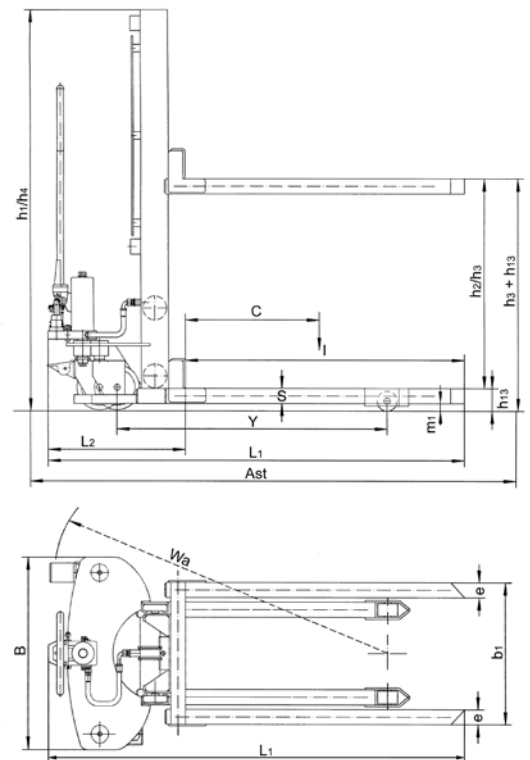
- Ergonomic safety control handle for one-hand operation of lifting, driving and lowering.
- Easy handling due to forced steering rollers.
- Lowering speed can be finely metered for sensitive lowering of the load.
- Single-acting hand pump with increased lift per handle stroke.
- Quick-lift for loads up to 100 kg.
- Robust mast construction with hard chromium plated piston.
- Steering roller with brake for safe parking of the hand stacker.



Technical data HV 1008 und HV 1016

| Model | HV 1008 | HV 1016 |
|---|----------|----------|
| Art.-No. | 34518032 | 34518030 |
| Capacity, kg | 1000 | 1000 |
| Load center c, mm | 600 | 600 |
| Wheelbase y, mm | 1075 | 1075 |
| Weight, kg | 179 | 205 |
| Tyre type ¹ | PUR/PUR | PUR/PUR |
| Steering rollers, mm | 180 x 50 | 180 x 50 |
| Load rollers, mm | 80 x 55 | 80 x 55 |
| Number of wheels/load rollers | 2/2 | 2/2 |
| Height, mast retracted h1, mm | 1300 | 1965 |
| Freelift h2, mm | 810 | 1510 |
| Stroke h3, mm | 810 | 1510 |
| Height, mast extended h4, mm | 1300 | 1965 |
| Lifting height max. h3 + h13, mm | 900 | 1600 |
| Fork height lowered h13, mm | 90 | 90 |
| Overall length L1, mm | 1675 | 1675 |
| Length incl. apron L2, mm | 552 | 552 |
| Overall width B, mm | 765 | 765 |
| Fork height s, mm | 60 | 60 |
| Fork width e, mm | 60 | 60 |
| Fork length l, mm | 1122 | 1122 |
| Outside dimension of forks b1, mm | 570 | 570 |
| Ground clearance m1, mm | 25 | 25 |
| Aisle width pallet Ast, mm | 1875 | 1875 |
| Turning circle radius Wa, mm | 1445 | 1445 |
| Lift per one crank rotation with/without load, mm | 17/50 | 17/50 |

¹PUR... Polyurethane



EHH PSE **Manual drive stacker** **with electric-hydraulic lift,** **manually movable**

Capacity 1000 kg,
Fork height max. 3000 mm

Suitable for occasional applications of stacking and transporting palletised loads, also for use in confined areas and for short distances.

Features

- Good maneuverability and easy handling due to positive steering of the unit.
- Compact electric-hydraulic lifting device and overload protection.
- Finely metered lowering of load through pressure relief valve and adjustable lowering valve.
- Retention by parking brake.
- Robust frame with two load and two steer rollers
- The maintenance free battery can be charged at any 230 V plug socket.

Scope of delivery

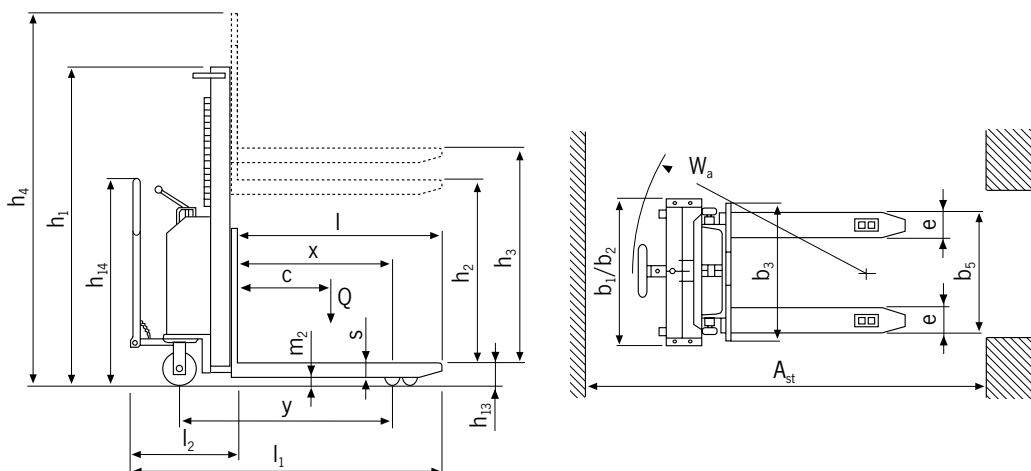
- Battery and battery charger included.



Technical data EHH PSE

| Model | EHH PSE 1016 | EHH PSE 1025 | EHH PSE 1030 |
|---------------------------------------|-----------------------|-----------------------|-----------------------|
| Art.-No. | 40050660 | 40050661 | 40050662 |
| Capacity (up to 2.5 m lift), kg | 1000 | 1000 | 1000 |
| Load center c, mm | 600 | 600 | 600 |
| Wheelbase y, mm | 1160 | 1160 | 1160 |
| Weight (with battery), kg | 395 | 455 | 475 |
| Tyre type ¹ | PA/PUR | PA/PUR | PA/PUR |
| Steering rollers, mm | 180 x 50 | 180 x 50 | 180 x 50 |
| Load rollers, mm | 74 x 70 | 74 x 70 | 74 x 70 |
| Number of wheels/load rollers | 2/4 | 2/4 | 2/4 |
| Height, mast retracted h1, mm | 1980 | 1830 | 2080 |
| Freelift h2, mm | 1415 | - | - |
| Stroke h3, mm | 1515 | 2415 | 2915 |
| Height, mast extended h4, mm | 2030 | 3020 | 3515 |
| Lifting height max. h3 + h13, mm | 1600 | 2500 | 3000 |
| Fork height lowered h13, mm | 85 | 85 | 85 |
| Overall length L1, mm | 1720 | 1720 | 1720 |
| Length incl. apron L2, mm | 555 | 555 | 555 |
| Overall width b1/b2, mm | 765 | 765 | 765 |
| Fork height s, mm | 60 | 60 | 60 |
| Fork width e, mm | 180 | 180 | 180 |
| Fork length l, mm | 1100 | 1100 | 1100 |
| Outside dimension of forks b5, mm | 570 | 570 | 570 |
| Ground clearance m2, mm | 25 | 25 | 25 |
| Aisle width pallet Ast, mm | 2145 | 2145 | 2145 |
| Turning circle radius Wa, mm | 1280 | 1280 | 1280 |
| Lifting speed with/without load, m/s | 0.08/0.13 | 0.08/0.13 | 0.08/0.13 |
| Lowering speed with/without load, m/s | 0.42/0.19 | 0.42/0.19 | 0.42/0.19 |
| Hoist motor rating, kW | 1.5 | 1.5 | 1.5 |
| Battery according to DIN 43531 | semi traction battery | semi traction battery | semi traction battery |
| Battery charger, V/A | 12/20A | 12/20A | 12/20A |
| Battery voltage capacity, V/Ah | 12/130 | 12/130 | 12/130 |

¹PA... Polyamide, PUR ... Polyurethane



EHH PS Manual drive stacker with electric-hydraulic lift, manually movable

**Capacity 1000 - 1200 kg,
Fork height max. 3500 mm**

Suitable for occasional to medium applications of stacking and transporting palletised loads, also in confined areas.

Features

- Easy to operate via tie-rod guides to both steer wheels.
- Compact electric-hydraulic lifting device and overload protection.
- Finely metered lowering of load through pressure relief valve and adjustable lowering valve.
- Mast welded from precision profiles, fork carriage with maintenance free guide rollers.
- Retention by parking brake.
- Robust frame with two load and two steer rollers

Scope of delivery

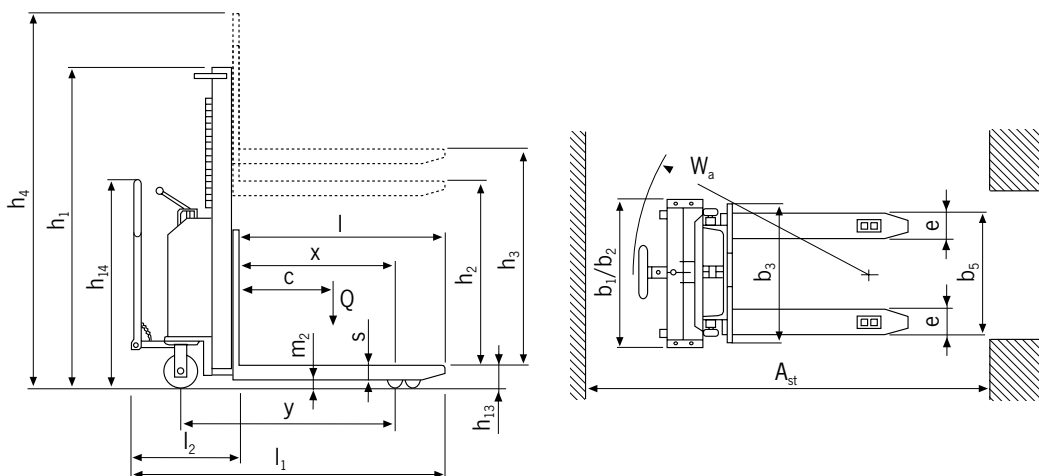
- Battery and battery charger included.



Technical data EHH PS

| Model | EHH PS 1009 | EHH PS 1016 | EHH PS 1225 | EHH PS 1229 | EHH PS 1235 |
|---|-------------|-------------|-------------|-------------|-------------|
| Art.-No. | 40046051 | 40044422 | 40044424 | 40044425 | 40044426 |
| Capacity (up to 2.5 m lift), kg | 1000 | 1000 | 1200 | 1200 | 1200 |
| Load center c, mm | 600 | 600 | 600 | 600 | 600 |
| Wheelbase y, mm | 965 | 965 | 1155 | 1155 | 1155 |
| Weight (with battery), kg | 296 | 311 | 433 | 449 | 496 |
| Tyre type ¹ | VG/PA | VG/PA | PUR/PA | PUR/PA | PUR/PA |
| Steering rollers, mm | 200 x 50 | 200 x 50 | 200 x 50 | 200 x 50 | 200 x 50 |
| Load rollers, mm | 82 x 70 | 82 x 70 | 82 x 70 | 82 x 70 | 82 x 70 |
| Number of wheels/load rollers | 2/2 | 2/2 | 2/2 | 2/2 | 2/2 |
| Height, mast retracted h ₁ , mm | 1300 | 1970 | 1780 | 1980 | 2250 |
| Freelift h ₂ , mm | 810 | 1510 | - | - | 80 |
| Stroke h ₃ , mm | 810 | 1510 | 2410 | 2810 | 3410 |
| Height, mast extended h ₄ , mm | 1300 | 1970 | 2985 | 3385 | 3915 |
| Lifting height max. h ₃ + h ₁₃ , mm | 900 | 1600 | 2500 | 2900 | 3500 |
| Fork height lowered h ₁₃ , mm | 90 | 90 | 90 | 90 | 90 |
| Overall length L ₁ , mm | 1750 | 1750 | 1850 | 1850 | 1850 |
| Length incl. apron L ₂ , mm | 600 | 600 | 700 | 700 | 700 |
| Overall width b ₁ /b ₂ , mm | 750 | 750 | 850 | 850 | 850 |
| Fork height s, mm | 70 | 70 | 70 | 70 | 70 |
| Fork width e, mm | 150 | 150 | 150 | 150 | 150 |
| Fork length l, mm | 1150 | 1150 | 1150 | 1150 | 1150 |
| Outside dimension of forks b ₅ , mm | 560 | 560 | 560 | 560 | 560 |
| Ground clearance m ₂ , mm | 20 | 20 | 20 | 20 | 20 |
| Aisle width pallet A _{st} , mm | 2210 | 2210 | 2375 | 2375 | 2375 |
| Turning circle radius W _a , mm | 1440 | 1440 | 1760 | 1760 | 1760 |
| Lifting speed with/without load, m/s | 0.09/0.12 | 0.09/0.12 | 0.08/0.12 | 0.08/0.12 | 0.08/0.12 |
| Lowering speed with/without load, m/s | 0.4/0.1 | 0.4/0.1 | 0.4/0.1 | 0.4/0.1 | 0.4/0.1 |
| Hoist motor rating, kW | 1,6 | 1,6 | 2,2 | 2,2 | 2,2 |
| Battery according to DIN 43531 | starter | starter | starter | starter | starter |
| Battery charger, V/A | 12/10 | 12/10 | 12/10 | 12/10 | 12/10 |
| Battery voltage capacity, V/Ah | 12/74 | 12/74 | 24/74 | 24/74 | 24/74 |

¹PA... Polyamide, PUR ... Polyurethane, VG ... Solid rubber



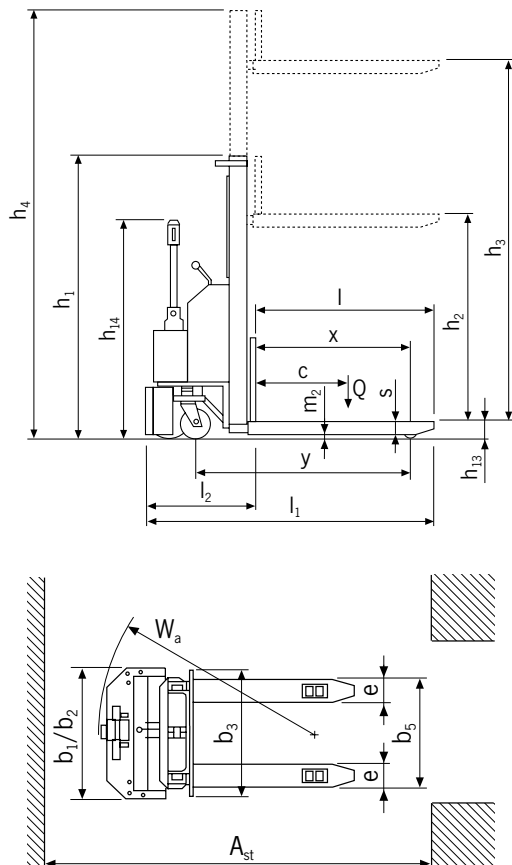
EGV PSL 1016 II Electric pedestrian stacker

Capacity 1000 kg,
Fork height max. 1600 mm

The EGV PSL 1016 II is the ideal solution for indoor transportation and of palletised goods within a warehouse environment for short haul and medium work load applications.

Features

- The slim single mast and the laterally, ergonomic tiller ensure a free view onto the goods as in front of the stacker.
- The fork thickness of 60 mm enables an easier entrance inside pallets, while working in elevation.
- Easy maintenance – the convenient access opening at the bottom of the forklift allows an immediate disassembly of motor wheel without lifting the machine.
- The reduced overall width of 794 mm improves the handling of goods in narrow spaces and corridors.
- Ultra-slow drive function enables exact driving in very tight spaces.
- Gel battery as standard.



Technical data EGV PSL 1016 II

| Model | EGV PSL 1016 II |
|---------------------------------------|---------------------|
| Art.-No. | 192021784 |
| Capacity (up to 2.5 m lift), kg | 1000 |
| Steering rollers, mm | 186 x 50 + 125 x 45 |
| Load rollers, mm | 82 x 70 |
| Height, mast retracted h1, mm | 1970 |
| Freelift h2, mm | 1510 |
| Stroke, mm | 1510 |
| Height, mast extended h4, mm | 1970 |
| Fork height max. h3, mm | 1600 |
| Fork height lowered h13, mm | 90 |
| Overall length L1, mm | 1675 |
| Overall width b1/b2, mm | 794 |
| Fork height s, mm | 60 |
| Fork width e, mm | 150 |
| Fork length l, mm | 1153 |
| Outside dimension of forks b5, mm | 560 |
| Travel speed with/without load, km/h | 3.7/4.3 |
| Lifting speed with/without load, m/s | 0.11/0.18 |
| Lowering speed with/without load, m/s | 0.18/0.18 |
| Drive motor rating, kW | 0.35 |
| Hoist motor rating, kW | 2.2 |
| Battery | Gel |
| Battery charger, V/A | 24/12 |
| Battery voltage, V/Ah | 24/50 |

EGV PSL II Electric pedestrian stacker

**Capacity 1200 kg,
Fork height max. 3500 mm**

The revised EGV PSL II is the ideal solution for indoor transportation and of palletized goods within a warehouse environment for short haul and medium work load applications.

Features

- The wide mast and the laterally, ergonomic tiller ensure a free view onto the goods as in front of the stacker.
- All functions are comfortably controlled from the tiller head.
- The reduced overall width of 800 mm improves the handling of goods in narrow spaces and corridors.
- Ultra-slow drive function enables exact driving in very tight spaces.
- Easy maintenance – the convenient access opening at the bottom of the forklift allows an immediate disassembly of motor wheel without lifting the machine.
- Improved drive- and lifting speed.
- The spiral charging cable which can be stored in the chassis enables easy charging at every socket.

Optional

Plus version

- Maintenance-free Gel batteries with increased working hours and a doubled lifetime expectancy.
- Finely metered lifting and lowering due to a soft valve control.
- Faster lowering speed.

Freelift version

- The EGV PSL 1229 II plus Freelift has a fullfreelift. It can lift the forks up to 1500 mm without increasing the base mast height.

Scope of delivery

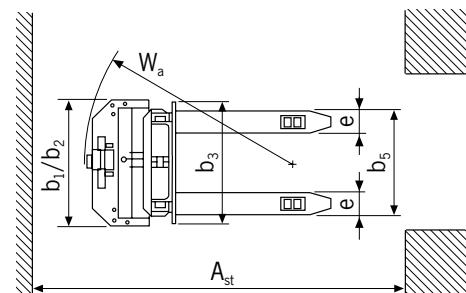
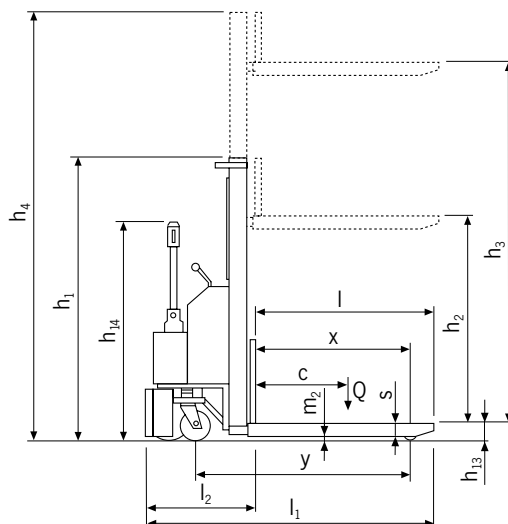
- Battery and battery charger included.



Technical data EGV PSL II

| Model | EGV PSL 1225 II | EGV PSL 1229 II | EGV PSL 1235 II |
|---|---------------------|---------------------|---------------------|
| Art.-No. | 192033602 | 192033615 | 192033616 |
| Actuation | electric | electric | electric |
| Operation | pedestrian | pedestrian | pedestrian |
| Capacity (up to 2.5 m lift), kg | 1200 | 1200 | 1200 |
| Load center c, mm | 600 | 600 | 600 |
| Wheelbase y, mm | 1234 | 1234 | 1234 |
| Weight (with battery), kg | 568 | 583 | 616 |
| Tyre type ¹ | PUR/VG + PUR | PUR/VG + PUR | PUR/VG + PUR |
| Steering rollers, mm | 250 x 76 + 100 x 38 | 250 x 76 + 100 x 38 | 250 x 76 + 100 x 38 |
| Load rollers, mm | 82 x 70 | 82 x 70 | 82 x 70 |
| Number of wheels/load rollers (x=driven) | 1x + 1/2 | 1x + 1/2 | 1x + 1/2 |
| Height, mast retracted h ₁ , mm | 1787 | 1987 | 2250 |
| Freelift h ₂ , mm | – | – | 80 |
| Stroke, mm | 2410 | 2810 | 3410 |
| Height, mast extended h ₄ , mm | 2992 | 3392 | 3916 |
| Fork height max. h ₃ , mm | 2500 | 2900 | 3500 |
| Height of control handle min./max. h ₁₄ , mm | 915/1310 | 915/1310 | 915/1310 |
| Fork height lowered h ₁₃ , mm | 90 | 90 | 90 |
| Overall length L ₁ , mm | 1760 | 1760 | 1760 |
| Length incl. apron L ₂ , mm | 609 | 609 | 609 |
| Overall width b ₁ /b ₂ , mm | 800 | 800 | 800 |
| Fork height s, mm | 70 | 70 | 70 |
| Fork width e, mm | 150 | 150 | 150 |
| Fork length l, mm | 1150 | 1150 | 1150 |
| Outside dimension of forks b ₅ , mm | 560 | 560 | 560 |
| Ground clearance m ₂ , mm | 20 | 20 | 20 |
| Aisle width pallet A _{st} , mm | 2210 | 2210 | 2210 |
| Turning circle radius W _a , mm | 1430 | 1430 | 1430 |
| Travel speed with/without load, km/h | 4.7/5.2 | 4.7/5.2 | 4.7/5.2 |
| Lifting speed with/without load, m/s | 0.11/0.19 | 0.11/0.19 | 0.11/0.19 |
| Lowering speed with/without load, m/s | 0.12/0.15 | 0.12/0.15 | 0.12/0.15 |
| Gradient with/without load, % | 5/10 | 5/10 | 5/10 |
| Service brake | electric | electric | electric |
| Drive motor rating, kW | 0.7 | 0.7 | 0.7 |
| Hoist motor rating, kW | 2.2 | 2.2 | 2.2 |
| Battery | starter | starter | starter |
| Battery charger, V/A | 24/13 | 24/13 | 24/13 |
| Battery voltage, V/Ah | 24/85 | 24/85 | 24/85 |

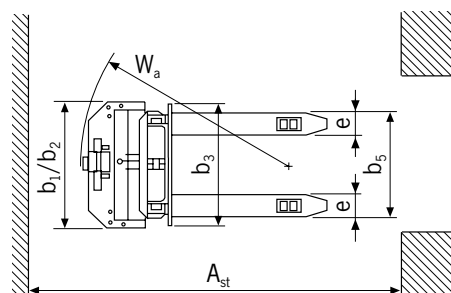
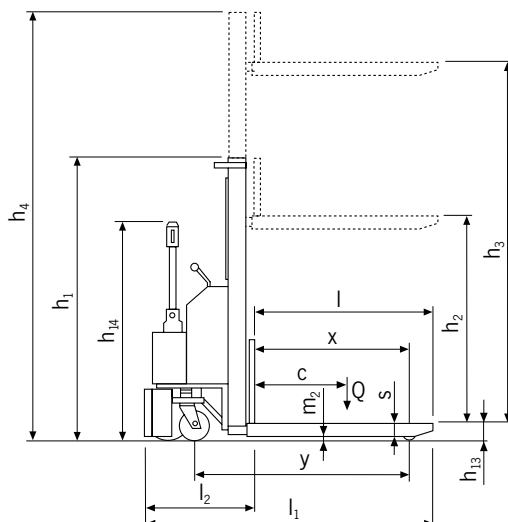
¹PUR ... Polyurethane, VG ... Solid rubber



Technical data EGV PSL II plus und EGV PSL II plus Freelift

| Model | EGV PSL 1225 II plus | EGV PSL 1229 II plus | EGV PSL 1235 II plus | EGV PSL 1229 II plus Freelift |
|--|----------------------|----------------------|----------------------|-------------------------------|
| Art.-No. | 192033617 | 192033618 | 192033620 | 192033621 |
| Actuation | electric | electric | electric | electric |
| Operation | pedestrian | pedestrian | pedestrian | pedestrian |
| Capacity (up to 2.5 m lift), kg | 1200 | 1200 | 1200 | 1200 |
| Load center c, mm | 600 | 600 | 600 | 600 |
| Wheelbase y, mm | 1234 | 1234 | 1234 | 1234 |
| Weight (with battery), kg | 648 | 663 | 696 | 693 |
| Tyre type ¹ | PUR/VG + PUR | PUR/VG + PUR | PUR/VG + PUR | PUR/VG + PUR |
| Steering rollers, mm | 250 x 76 + 100 x 40 | 250 x 76 + 100 x 41 | 250 x 76 + 100 x 42 | 250 x 76 + 100 x 43 |
| Load rollers, mm | 82 x 70 | 82 x 70 | 82 x 70 | 82 x 70 |
| Number of wheels/load rollers (x=driven) | 1x + 1/2 | 1x + 1/2 | 1x + 1/2 | 1x + 1/2 |
| Height, mast retracted h1, mm | 1787 | 1987 | 2250 | 1965 |
| Freelift h2, mm | 0 | 0 | 80 | 1402 |
| Stroke, mm | 2410 | 2810 | 3410 | 2810 |
| Height, mast extended h4, mm | 2992 | 3392 | 3916 | 3372 |
| Fork height max. h3, mm | 2500 | 2900 | 3.500 | 2900 |
| Height of control handle min./max. h14, mm | 915/1310 | 915/1310 | 915/1310 | 915/1310 |
| Fork height lowered h13, mm | 90 | 90 | 90 | 90 |
| Overall length L1, mm | 1760 | 1760 | 1760 | 1760 |
| Length incl. apron L2, mm | 609 | 609 | 609 | 609 |
| Overall width b1/b2, mm | 800 | 800 | 800 | 800 |
| Fork height s, mm | 70 | 70 | 70 | 70 |
| Fork width e, mm | 150 | 150 | 150 | 150 |
| Fork length l, mm | 1150 | 1150 | 1150 | 1150 |
| Outside dimension of forks b5, mm | 560 | 560 | 560 | 560 |
| Ground clearance m2, mm | 20 | 20 | 20 | 20 |
| Aisle width pallet Ast, mm | 2210 | 2210 | 2210 | 2210 |
| Turning circle radius Wa, mm | 1430 | 1430 | 1430 | 1430 |
| Travel speed with/without load, km/h | 4.7/5.2 | 4.7/5.2 | 4.7/5.2 | 4.7/5.2 |
| Lifting speed with/without load, m/s | 0.11/0.19 | 0.11/0.19 | 0.11/0.19 | 0.11/0.19 |
| Lowering speed with/without load, m/s | 0.19/0.19 | 0.19/0.19 | 0.19/0.19 | 0.16/0.14 |
| Gradient with/without load, % | 5/10 | 5/10 | 5/10 | 5/10 |
| Service brake | electric | electric | electric | electric |
| Drive motor rating, kW | 0.7 | 0.7 | 0.7 | 0.7 |
| Hoist motor rating, kW | 2.2 | 2.2 | 2.2 | 2.2 |
| Battery | Gel | Gel | Gel | Gel |
| Battery charger, V/A | 24/13 | 24/13 | 24/13 | 24/13 |
| Battery voltage, V/Ah | 24/105 | 24/105 | 24/105 | 24/105 |

¹PUR... Polyurethane, VG... Solid rubber



EGV PSH II Electric pedestrian stacker

**Capacity 1200 - 1600 kg,
Fork height max. 5000 mm**

The revised edition of the model range EGV PSH II is the professional solution for indoor transportation and stacking of palletised loads over longer distances and higher capacity utilization.

Features

- Multifunctional control handle with integrated drive switches and lifting and lowering functions directly on the control handle.
- Proportionally controllable lifting and lowering functions for better positioning of the loads.
- Compact overall dimensions, only 800 mm wide allows operations in narrow corridors.
- Ultra-slow drive function enables exact driving in very tight spaces.
- Drive and lifting speeds have been increased for this revised model.

Optional

- Drivers platform
- Freelift



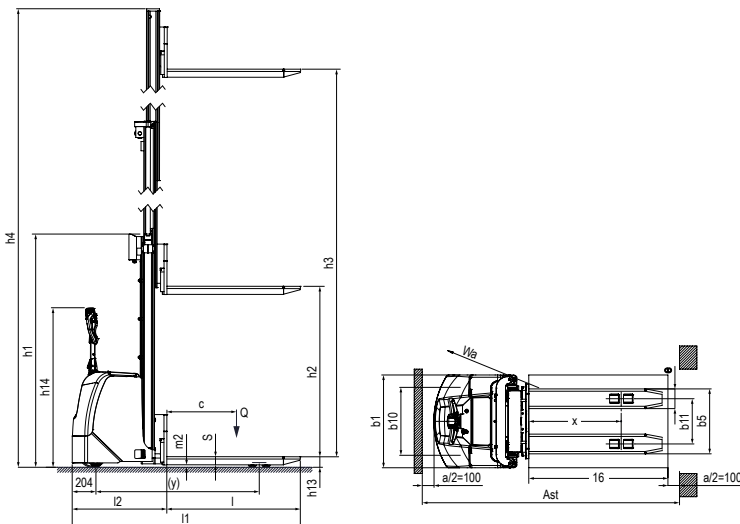
INFO

Battery and battery charger are to be ordered separately.

Technical data EGV PSH 12 II

| Model | EGV PSH 12-16 II | EGV PSH 12-25 II | EGV PSH 12-29 II | EGV PSH 12-35 II |
|--|----------------------|----------------------|----------------------|----------------------|
| Art.-No. | N25412161 | N25412251 | N25412291 | N25412351 |
| Actuation | electric | electric | electric | electric |
| Operation | pedestrian | pedestrian | pedestrian | pedestrian |
| Capacity (up to 2.5 m lift), kg | 1200 | 1200 | 1200 | 1200 |
| Load center c, mm | 600 | 600 | 600 | 600 |
| Wheelbase y, mm | 1307 | 1307 | 1307 | 1307 |
| Weight (with battery 180 Ah), kg | 841 | 900 | 915 | 937 |
| Tyre type ¹ | PUR/VG + PUR | PUR/VG + PUR | PUR/VG + PUR | PUR/VG + PUR |
| Steering rollers, mm | 250 x 101 + 100 x 38 | 250 x 101 + 100 x 38 | 250 x 101 + 100 x 38 | 250 x 101 + 100 x 38 |
| Load rollers, mm | 82 x 70 | 82 x 70 | 82 x 70 | 82 x 70 |
| Number of wheels/load rollers (x=driven) | 1x + 2/4 | 1x + 2/4 | 1x + 2/4 | 1x + 2/4 |
| Height, mast retracted h1, mm | 1965 | 1785 | 1987 | 2265 |
| Freelift h2, mm | 1510 | – | – | 80 |
| Stroke, mm | 1510 | 2410 | 2810 | 3410 |
| Height, mast extended h4, mm | 1965 | 2990 | 3392 | 3970 |
| Fork height max. h3, mm | 1600 | 2500 | 2900 | 3500 |
| Height of control handle max. h14, mm | 1390 | 1390 | 1390 | 1390 |
| Fork height lowered h13, mm | 90 | 90 | 90 | 90 |
| Overall length L1, mm | 1920 | 1920 | 1920 | 1920 |
| Length incl. apron L2, mm | 770 | 770 | 770 | 770 |
| Overall width b1/b2, mm | 800 | 800 | 800 | 800 |
| Fork height s, mm | 70 | 70 | 70 | 70 |
| Fork width e, mm | 150 | 150 | 150 | 150 |
| Fork length l, mm | 1150 | 1150 | 1150 | 1150 |
| Outside dimension of forks b5, mm | 560 | 560 | 560 | 560 |
| Ground clearance, mm | 20 | 20 | 20 | 20 |
| Aisle width pallet Ast, mm | 2169 | 2169 | 2169 | 2169 |
| Turning circle radius Wa, mm | 1550 | 1550 | 1550 | 1550 |
| Travel speed with/without load, km/h | 6/6 | 6/6 | 6/6 | 6/6 |
| Lifting speed with/without load, m/s | 0.12/0.17 | 0.12/0.17 | 0.12/0.17 | 0.12/0.17 |
| Lowering speed with/without load, m/s | 0.22/0.12 | 0.22/0.12 | 0.22/0.12 | 0.22/0.12 |
| Gradient with/without load, % | 5/10 | 5/10 | 5/10 | 5/10 |
| Service brake | electric | electric | electric | electric |
| Drive motor rating, kW | 1.2 | 1.2 | 1.2 | 1.2 |
| Hoist motor rating, kW | 3.2 | 3.2 | 3.2 | 3.2 |
| Battery ² | PzS | PzS | PzS | PzS |
| Battery voltage, V/Ah | 24/225-300 | 24/225-300 | 24/225-300 | 24/225-300 |
| Battery weight, kg | 270 | 270 | 270 | 270 |
| Type of control | impulse | impulse | impulse | impulse |

¹PUR... Polyurethane, VG... Solid rubber
²PzS... Traction battery



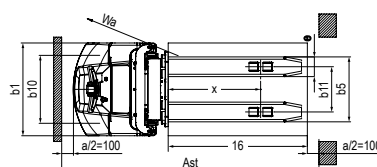
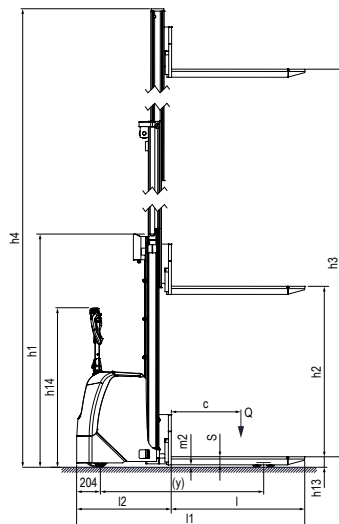
Technical data EGV PSH 14 II

| Model | EGV PSH 14-45T II | EGV PSH 14-45TF II | EGV PSH 14-50T II |
|--|----------------------|----------------------|----------------------|
| Art.-No. | N25414453 | N25414455 | N25414503 |
| Actuation | electric | electric | electric |
| Operation | pedestrian | pedestrian | pedestrian |
| Capacity (up to 2.5 m lift), kg | 1400 | 1400 | 1400 |
| Load center c, mm | 600 | 600 | 600 |
| Wheelbase y, mm | 1370 | 1370 | 1370 |
| Weight (with battery 180 Ah), kg | 1190 | 1223 | 1229 |
| Tyre type ¹ | PUR/VG + PUR | PUR/VG + PUR | PUR/VG + PUR |
| Steering rollers, mm | 250 x 101 + 100 x 38 | 250 x 101 + 100 x 38 | 250 x 101 + 100 x 38 |
| Load rollers, mm | 82 x 70 | 82 x 70 | 82 x 70 |
| Number of wheels/load rollers (x=driven) | 1x + 2/4 | 1x + 2/4 | 1x + 2/4 |
| Height, mast retracted h1, mm | 2080 | 2089 | 2285 |
| Freelift h2, mm | – | 1470 | – |
| Stroke, mm | 4410 | 4410 | 5025 |
| Height, mast extended h4, mm | 5020 | 5029 | 5635 |
| Fork height max. h3, mm | 4500 | 4500 | 5115 |
| Height of control handle max. h14, mm | 1390 | 1390 | 1390 |
| Fork height lowered h13, mm | 90 | 90 | 90 |
| Overall length L1, mm | 1966 | 1966 | 1966 |
| Length incl. apron L2 | 816 | 816 | 816 |
| Overall width b1/b2, mm | 800 | 800 | 800 |
| Fork height s, mm | 70 | 70 | 70 |
| Fork width e, mm | 170 | 170 | 170 |
| Fork length l, mm | 1150 | 1150 | 1150 |
| Outside dimension of forks b5, mm | 560 | 560 | 560 |
| Ground clearance, mm | 20 | 20 | 20 |
| Aisle width pallet Ast, mm | 2389 | 2389 | 2389 |
| Turning circle radius Wa, mm | 1613 | 1613 | 1613 |
| Travel speed with/without load, km/h | 6/6 | 6/6 | 6/6 |
| Lifting speed with/without load, m/s | 0.14/0.28 | 0.14/0.28 | 0.14/0.28 |
| Lowering speed with/without load, m/s | 0.34/0.40 | 0.34/0.40 | 0.34/0.40 |
| Gradient with/without load, % | 5/10 | 5/10 | 5/10 |
| Service brake | electric | electric | electric |
| Drive motor rating, kW | 1.2 | 1.2 | 1.2 |
| Hoist motor rating, kW | 3.2 | 3.2 | 3.2 |
| Battery ² | PzS | PzS | PzS |
| Battery voltage, V/Ah | 24/300 ³ | 24/300 ³ | 24/300 ³ |
| Battery weight, kg | 270 | 270 | 270 |
| Type of control | impulse | impulse | impulse |

¹PUR... Polyurethane, VG... Solid rubber

²PzS... Traction battery

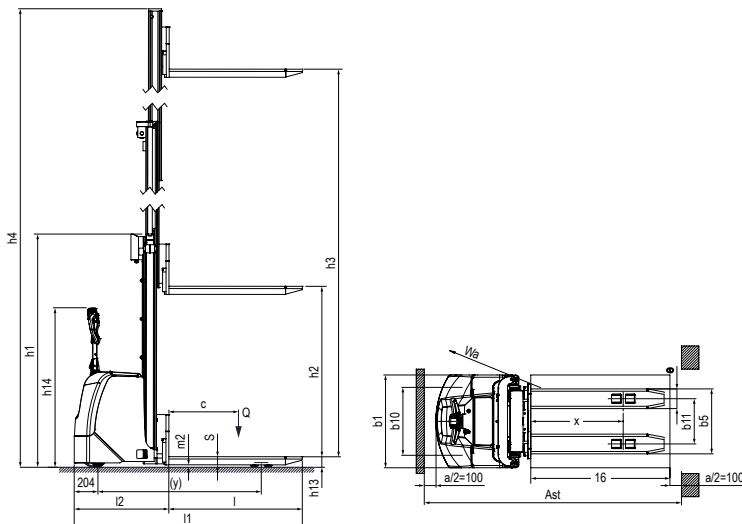
³Unit only supplied with 300Ah battery



Technical data EGV PSH 16 II

| Model | EGV PSH 16-16 II | EGV PSH 16-25 II | EGV PSH 16-29 II | EGV PSH 16-35 II |
|--|----------------------|----------------------|----------------------|----------------------|
| Art.-No. | N25416161 | N25416251 | N25416291 | N25416351 |
| Actuation | electric | electric | electric | electric |
| Operation | pedestrian | pedestrian | pedestrian | pedestrian |
| Capacity (up to 2.5 m lift), kg | 1600 | 1600 | 1600 | 1600 |
| Load center c, mm | 600 | 600 | 600 | 600 |
| Wheelbase y, mm | 1370 | 1370 | 1370 | 1370 |
| Weight (with battery 180 Ah), kg | 920 | 1025 | 1050 | 1090 |
| Tyre type ¹ | PUR/VG + PUR | PUR/VG + PUR | PUR/VG + PUR | PUR/VG + PUR |
| Steering rollers, mm | 250 x 101 + 100 x 38 | 250 x 101 + 100 x 38 | 250 x 101 + 100 x 38 | 250 x 101 + 100 x 38 |
| Load rollers, mm | 82 x 70 | 82 x 70 | 82 x 70 | 82 x 70 |
| Number of wheels/load rollers (x=driven) | 1x + 2/4 | 1x + 2/4 | 1x + 2/4 | 1x + 2/4 |
| Height, mast retracted h1, mm | 1965 | 1765 | 1965 | 2265 |
| Freelift h2, mm | 1510 | - | - | - |
| Stroke, mm | 1510 | 2410 | 2810 | 3410 |
| Height, mast extended h4, mm | 1965 | 2970 | 3370 | 3970 |
| Fork height max. h3, mm | 1600 | 2500 | 2900 | 3500 |
| Height of control handle max. h14, mm | 1390 | 1390 | 1390 | 1390 |
| Fork height lowered h13, mm | 90 | 90 | 90 | 90 |
| Overall length L1, mm | 1944 | 1944 | 1944 | 1944 |
| Length incl. apron L2, mm | 795 | 795 | 795 | 795 |
| Overall width b1/b2, mm | 800 | 800 | 800 | 800 |
| Fork height s, mm | 70 | 70 | 70 | 70 |
| Fork width e, mm | 170 | 170 | 170 | 170 |
| Fork length l, mm | 1150 | 1150 | 1150 | 1150 |
| Outside dimension of forks b5, mm | 560 | 560 | 560 | 560 |
| Ground clearance, mm | 20 | 20 | 20 | 20 |
| Aisle width pallet Ast, mm | 2195 | 2195 | 2195 | 2195 |
| Turning circle radius Wa, mm | 1613 | 1613 | 1613 | 1613 |
| Travel speed with/without load, km/h | 6/6 | 6/6 | 6/6 | 6/6 |
| Lifting speed with/without load, m/s | 0.13/0.25 | 0.13/0.25 | 0.13/0.25 | 0.13/0.25 |
| Lowering speed with/without load, m/s | 0.31/0.38 | 0.31/0.38 | 0.31/0.38 | 0.31/0.38 |
| Gradient with/without load, % | 5/10 | 5/10 | 5/10 | 5/10 |
| Service brake | electric | electric | electric | electric |
| Drive motor rating, kW | 1.2 | 1.2 | 1.2 | 1.2 |
| Hoist motor rating, kW | 3.2 | 3.2 | 3.2 | 3.2 |
| Battery ² | PzS | PzS | PzS | PzS |
| Battery voltage, V/Ah | 24/225-300 | 24/225-300 | 24/225-300 | 24/225-300 |
| Battery weight, kg | 270 | 270 | 270 | 270 |
| Type of control | impulse | impulse | impulse | impulse |

¹PUR... Polyurethane, VG... Solid rubber
²PzS... Traction battery





MLP 90 E Minilifter

**Capacity 90 kg,
Lifting height 1568 mm**

The Minilifter is designed to be maneuverable and versatile for indoor use, where small loads are lifted frequently. It has a low unit weight and non-marking tyres that make it an indispensable tool in many areas.

The stepless adjustable handlebars provide a comfortable grip for the user.

Features

- For easy and safe maneuvering, it has 4 swivel castors, 2 of which are fitted with parking brakes.
- The forward wheel arms clear under Euro pallets.
- Electric lifting and lowering function with soft start.
- The ergonomic push handle is infinitely height-adjustable.
- Cable remote control with spiral cable.
- The connection system makes it possible to use various, optionally available load handling attachments.
- Maintenance-free, precision lead screw and nut for many years of reliable service. The safety slip clutch protects the drive in both directions.
- The lowering safety cut-out eliminates accidental crushing and entrapment when lowering the platform.
- The electronic overload protection effectively prevents accidental lifting of excessive load.
- Maintenance-free battery that can be charged at any socket.
- Robust construction with chrome plated chassis, hard chromium plated piston and pressure relief valve.
- Covered chain deflection for increased safety.

Optional

- Swiveling V-block with platform for roller material.
- Mandrel for roller material.

Scope of delivery

- Integrated battery 24 V, 7.2Ah.
- External charger 24 V, 1.5A.

Technical data MLP 90 E

| Model | MLP 90 E |
|---|---------------------------------|
| Art.-No. MLP 90 E | 192104069 |
| Art.-No. V-block for transport of rollers | 192104090 |
| Art.-No. Mandrel for handling of rollers | 192104092 |
| Art.-No. Holder for battery charger | 192104093 |
| Capacity, kg | 90 |
| Type of wheels | 4 steering wheels, 2 with brake |
| Number of wheels front/rear | 2/2 |
| Wheel diameter front/rear, mm | 60/100 |
| Lifting range, mm | 107–1568 |
| Load center, mm | 220 |
| Weight, kg | 40 |
| Overall width, mm | 519 |
| Overall length, mm | 734 |
| Overall height, mm | 1912 |
| Ground clearance, mm | 86 |
| Platform width, mm | 498 |
| Platform length, mm | 440 |
| Actuation | electric |
| Material | steel/aluminium |
| Battery | 2 x 12 V/7.2Ah |
| Battery charger | 100–240 V/1 A |



Optional: V-block



Optional: Mandrel





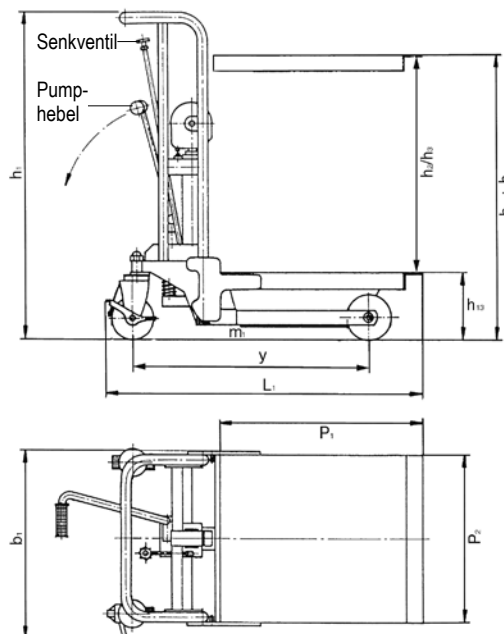
PRAKTIKUS HP Platförmift, mobile

**Capacity 400 kg,
Platform height max. 1200 mm**

For the occasional, internal application of lifting and transporting of goods.

Features

- Easy lifting by tiltable foot pedal.
- Lowering speed can be finely metered for sensitive lowering of the load.
- Ergonomic handlebar for easy operation.
- Steering roller with brake for safe parking of the hand stacker.
- Robust construction with chrome plated chassis, hard chromium plated piston and pressure relief valve.
- Covered chain deflection for increased safety.



Technical data PRAKTIKUS HP

| Model | HP 0412 |
|--|----------|
| Art.-No. | 40008779 |
| Capacity, kg | 400 |
| Platform height max. $h_3 + h_{13}$, mm | 1200 |
| Platform height min. h_{13} , mm | 200 |
| Freelift h_2 , mm | 1000 |
| Stroke h_3 , mm | 1000 |
| Lifting height per pump stroke, mm | 23 |
| Overall height h_1 , mm | 1310 |
| Overall length L_1 , mm | 1037 |
| Overall width b_1 , mm | 590 |
| Platform length P_1 , mm | 650 |
| Platform width P_2 , mm | 550 |
| Tyre type ¹ | VG/VG |
| Steering rollers, mm | 150 x 45 |
| Load rollers, mm | 150 x 45 |
| Number of wheels/load rollers | 2/2 |
| Ground clearance m_1 , mm | 50 |
| Wheelbase y , mm | 785 |
| Weight, kg | 71 |

¹VG ... Solid rubber

HX Scissor elevating platform, mobile with single scissor

Capacity 150 - 750 kg,
Platform height max. 1000 mm

For the independant lifting and supplying of loads within a warehouse environment.

Features

- Hydraulic lifting of the load with foot pedal.
- Lowering speed can be finely metered for sensitive lowering of the load.
- Ergonomic handlebar for easy operation, tiltable for model HX 150.
- Steering roller with brake for safe parking of the hand stacker.
- Robust construction with hard chromium plated piston and pressure relief valve.

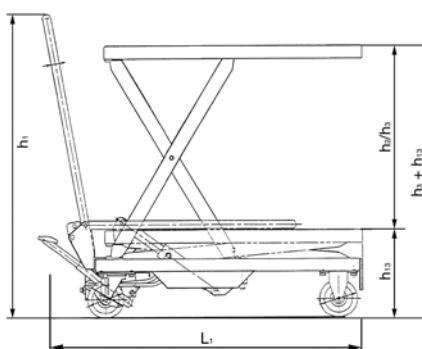
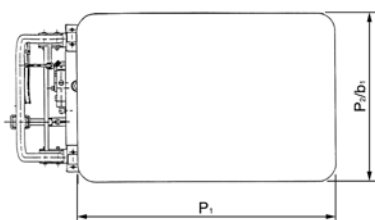


HX 150

Technical data HX

| Model | HX 150 | HX 300 | HX 500 | HX 750 |
|--|----------|----------|----------|----------|
| Art.-No. | 34600020 | 40057357 | 40057358 | 40057360 |
| Capacity, kg | 150 | 300 | 500 | 750 |
| Platform height max. $h_3 + h_{13}$, mm | 720 | 880 | 880 | 1000 |
| Platform height min. h_{13} , mm | 220 | 285 | 285 | 420 |
| Stroke h_3 , mm | 500 | 595 | 595 | 580 |
| Lifting height per pump stroke, mm | 27 | 31 | 31 | 15 |
| Overall height h_1 , mm | 960 | 984 | 984 | 990 |
| Overall length L_1 , mm | 908 | 1093 | 1093 | 1330 |
| Overall width b_1 , mm | 450 | 500 | 500 | 600 |
| Platform length P_1 , mm | 700 | 850 | 850 | 1000 |
| Platform width P_2 , mm | 450 | 500 | 500 | 510 |
| Tyre type ¹ | PUR/PUR | PUR/PUR | PUR/PUR | PUR/PUR |
| Load rollers, mm | 100 x 36 | 128 x 40 | 128 x 40 | 147 x 50 |
| Number of wheels/load rollers | 2/2 | 2/2 | 2/2 | 2/2 |
| Weight, kg | 49 | 78 | 82 | 120 |

¹PUR... Polyurethane





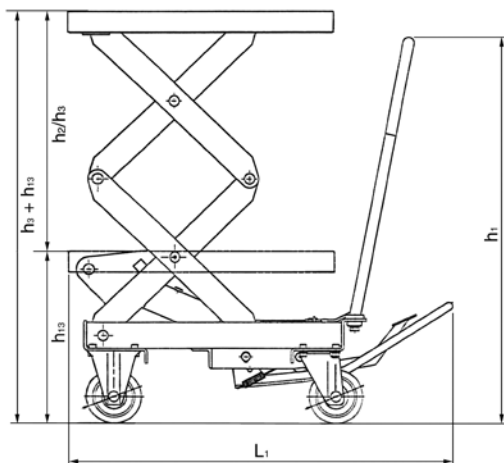
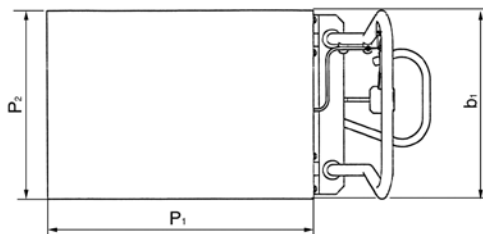
HX-D Scissor elevating platform, mobile with double scissor

**Capacity 350 kg,
Platform height max. 1300 mm**

For the independant lifting and supplying of light up to medium loads within a warehouse environment.

Features

- Hydraulic lifting of the load with foot pedal.
- Lowering speed can be finely metered for sensitive lowering of the load.
- Ergonomic handlebar for easy operation.
- Steering roller with brake for safe parking of the hand stacker.
- Robust construction with hard chromium plated piston and pressure relief valve.
- According to DIN EN 1570-1, DIN EN ISO 3691-5.



Technical data HX-D

| Model | HX-D 350 |
|--|----------|
| Art.-No. | 40057361 |
| Capacity, kg | 350 |
| Platform height max. $h_3 + h_{13}$, mm | 1300 |
| Platform height min. h_{13} , mm | 370 |
| Stroke h_3 , mm | 930 |
| Lifting height per pump stroke, mm | 21 |
| Overall height h_1 , mm | 965 |
| Overall length L_1 , mm | 1140 |
| Overall width b_1 , mm | 500 |
| Platform length P_1 , mm | 910 |
| Platform width P_2 , mm | 500 |
| Tyre type ¹ | PUR/PUR |
| Load rollers, mm | 128 x 40 |
| Number of wheels/load rollers | 2/2 |
| Weight, kg | 136 |

¹PUR... Polyurethane

HF...SM

**Scissor elevating platform,
mobile with single scissor and
- manual hydraulic**

Capacity 150 - 1250 kg,
Platform height max. 1050 mm

HF...SE

- electric hydraulic system

Capacity 300 - 1250 kg,
Platform height max. 1050 mm

For lifting and supplying goods independent of the location.

Features

- Manual hydraulic system with pedal or electric hydraulic system with dead man function – a main current connection is not required.
- High safety due to pressure relief and lowering valve.
- Robust single scissor construction, above 300 kg with solid steer scissor.
- Pivoting platform with mechanic adjustment for safe maintenance work.
- Compact design with low OAH.
- Steering and fixed rollers with service-free roller bearings. One steer roller can be locked in position for parking.
- According to DIN EN 1570-1 and machinery directive 2006/42/EG.



Scope of delivery

- Models with electric-hydraulic pump are supplied complete with battery and charger.

Technical data HF/SM

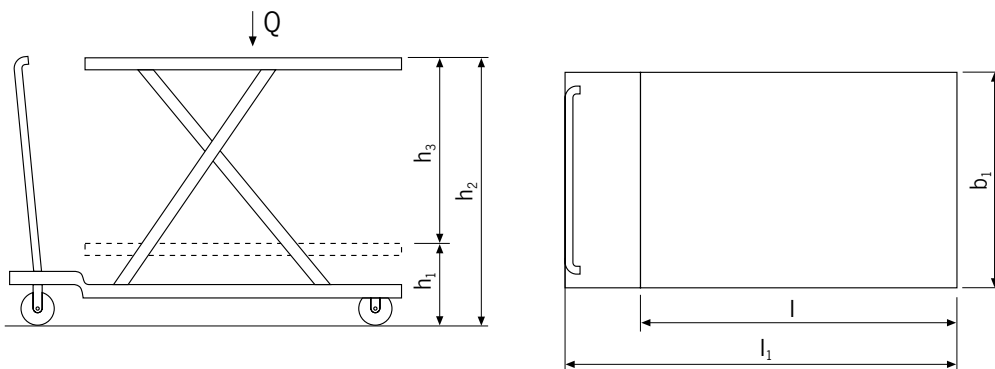
| Model | HF 015-078 SM | HF 030-084 SM | HF 050-090 SM | HF 080-105 SM | HF 100-105 SM | HF 125-105 SM |
|---|---------------|---------------|---------------|---------------|---------------|---------------|
| Art.-No. | N24501078 | N24503084 | N24505090 | N24508105 | N24510105 | N24512105 |
| Capacity, kg | 150 | 300 | 500 | 800 | 1000 | 1250 |
| Platform height max. h ₂ , mm | 780 | 840 | 900 | 1050 | 1050 | 1050 |
| Platform height min. h ₁ , mm | 255 | 335 | 340 | 360 | 360 | 360 |
| Stroke h ₃ , mm | 525 | 505 | 560 | 690 | 690 | 690 |
| Overall length l ₁ , mm | 990 | 1050 | 1320 | 1650 | 2350 | 1650 |
| Overall width b ₁ , mm | 450 | 500 | 610 | 860 | 1000 | 860 |
| Platform length l, mm | 760 | 840 | 1030 | 1350 | 2000 | 1350 |
| Platform width b ₁ , mm | 450 | 500 | 610 | 840 | 1000 | 840 |
| Tyre type ¹ | VG | PUR | PUR | PA | PA | PA |
| Service brake | manual | manual | manual | manual | manual | manual |
| Number of strokes for max. lift | 14 | 18 | 29 | 40 | 80 | 80 |
| Weight (with battery and battery charger), kg | 41 | 83 | 109 | 222 | 286 | 230 |

¹PA... Polyamide, PUR... Polyurethane, VG... Solid rubber

Technical data HF/SE

| Model | HF 030-084 SE | HF 050-090 SE | HF 080-105 SE | HF 100-105 SE | HF 125-105 SE |
|---|---------------|---------------|---------------|---------------|---------------|
| Art.-No. | N24603084 | N24605090 | N24608105 | N24610105 | N24612105 |
| Capacity, kg | 300 | 500 | 800 | 1000 | 1250 |
| Platform height max. h ₂ , mm | 840 | 900 | 1050 | 1050 | 1050 |
| Platform height min. h ₁ , mm | 335 | 340 | 360 | 360 | 360 |
| Stroke h ₃ , mm | 505 | 560 | 690 | 690 | 690 |
| Overall length l ₁ , mm | 1130 | 1330 | 1650 | 2350 | 1650 |
| Overall width b ₁ , mm | 500 | 610 | 860 | 1000 | 860 |
| Platform length l, mm | 840 | 1030 | 1350 | 2000 | 1350 |
| Platform width b ₁ , mm | 500 | 610 | 840 | 1000 | 840 |
| Tyre type ¹ | PUR | PUR | PA | PA | PA |
| Service brake | manual | manual | manual | manual | manual |
| Number of strokes for max. lift | electric | electric | electric | electric | electric |
| Weight (with battery and battery charger), kg | 120 | 158 | 270 | 397 | 278 |

¹PA... Polyamide, PUR... Polyurethane



HF...DM

**Scissor elevating platform,
mobile with double vertical
scissor and
- manual hydraulic**

HF...DE

- electric hydraulic system

Capacity 125 - 800 kg,

Platform height max. 1900 mm

For lifting and supplying goods independent of the location.

Features

- Manual hydraulic system with pedal or electric hydraulic system with dead man function – a main current connection is not required.
- High safety due to pressure relief and lowering valve.
- Robust single scissor construction, above 300 kg with solid steer scissor.
- Pivoting platform with mechanic adjustment for safe maintenance work.
- Compact design with low OAH.
- Steering and fixed rollers with service-free roller bearings. One steer roller can be locked in position for parking.
- According to DIN EN 1570-1 and machinery directive 2006/42/EG.



Scope of delivery

- Models with electric-hydraulic pump are supplied complete with battery and charger.

Technical data HF/DM

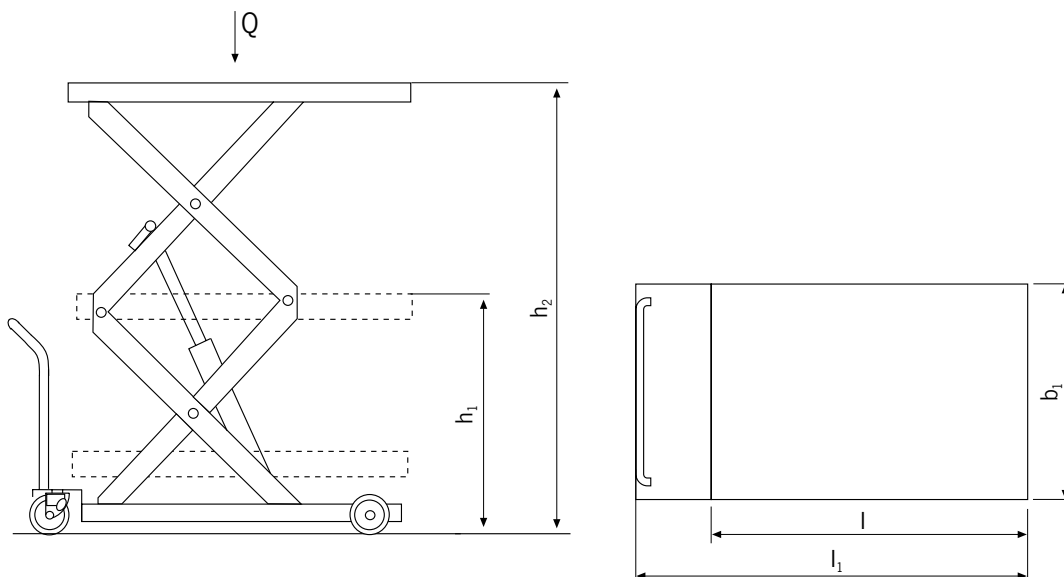
| Model | HF 012-142 DM | HF 045-155 DM | HF 050-190 DM | HF 080-190 DM |
|---|---------------|---------------|---------------|---------------|
| Art.-No. | N24701142 | N24704155 | N24705190 | N24708190 |
| Capacity, kg | 125 | 450 | 500 | 800 |
| Platform height max. h_2 , mm | 1420 | 1550 | 1900 | 1900 |
| Platform height min. h_1 , mm | 430 | 295 | 490 | 490 |
| Stroke h_3 , mm | 990 | 1255 | 1410 | 1410 |
| Overall length l_1 , mm | 1090 | 1350 | 1650 | 1650 |
| Overall width b_1 , mm | 500 | 665 | 860 | 860 |
| Platform length l , mm | 840 | 1030 | 1350 | 1350 |
| Platform width b_1 , mm | 500 | 610 | 840 | 840 |
| Tyre type ¹ | PUR | PUR | PA | PA |
| Service brake | manual | manual | manual | manual |
| Number of strokes for max. lift | 19 | 71 | 80 | 160 |
| Weight (with battery and battery charger), kg | 100 | 143 | 306 | 315 |

¹PA... Polyamide, PUR... Polyurethane

Technical data HF/DE

| Model | HF 012-142 DE | HF 045-155 DE | HF 050-190 DE | HF 080-190 DE |
|---|---------------|---------------|---------------|---------------|
| Art.-No. | N24801142 | N24804155 | N24805190 | N24808190 |
| Capacity, kg | 125 | 450 | 500 | 800 |
| Platform height max. h_2 , mm | 1420 | 1550 | 1900 | 1900 |
| Platform height min. h_1 , mm | 430 | 295 | 490 | 490 |
| Stroke h_3 , mm | 990 | 1255 | 1410 | 1410 |
| Overall length l_1 , mm | 1090 | 1350 | 1650 | 1650 |
| Overall width b_1 , mm | 500 | 665 | 860 | 860 |
| Platform length l , mm | 840 | 1030 | 1350 | 1350 |
| Platform width b_1 , mm | 500 | 610 | 840 | 840 |
| Tyre type ¹ | PUR | PUR | PA | PA |
| Service brake | manual | manual | manual | manual |
| Number of strokes for max. lift | electric | electric | electric | electric |
| Weight (with battery and battery charger), kg | 147 | 190 | 352 | 363 |

¹PA... Polyamide, PUR... Polyurethane



HT 08 M
Mobile elevating work bench with
- manual-hydraulic lift

HT 08 E
Mobile elevating work bench with
- electric-hydraulic lift

Capacity 800 kg,
Platform height max. 1475 mm

For lifting and transporting of heavy loads in manufacturing and assembly processes.

Features

- TRIPLEX mast for lifting heights up to 1475 mm.
- Ergonomic handlebar for easy operation.
- Double-acting hand pump with increased lift per handle stroke (HT 08 M).
- Electric hydraulic unit with battery for comfortable and easy lifting (HT 08 E).
- Steering roller with brake for safe parking of the hand stacker.
- Robust construction with hard chromium plated piston.

Scope of delivery HT 08 E

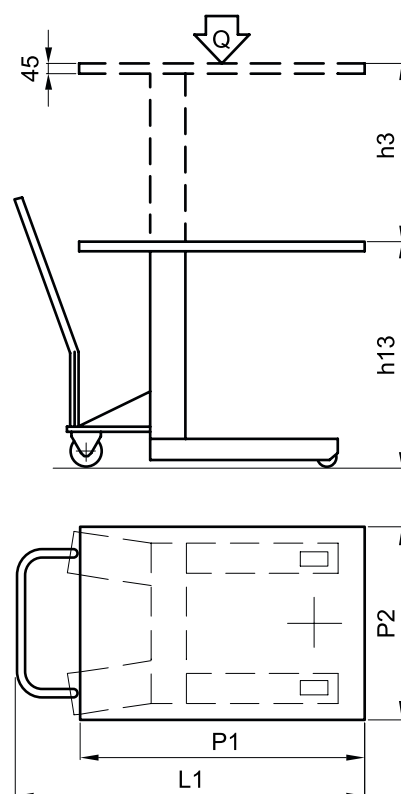
- Battery and integrated battery charger.



Technical data HT 08 M and HT 08 E

| Model | HT 08 M | HT 08 E |
|--------------------------------------|-----------|------------|
| Art.-No. | N24380120 | N24380129 |
| Capacity, kg | 800 | 800 |
| Platform height max. h3+h13, mm | 1475 | 1475 |
| Platform height min. h13, mm | 700 | 700 |
| Stroke h3, mm | 775 | 775 |
| Overall length L1, mm | 980 | 980 |
| Platform length P1, mm | 800 | 800 |
| Platform width P2, mm | 750 | 750 |
| Tyre type ¹ | PUR/PUR | PUR/PUR |
| Brake | manual | manual |
| Lifting height per pump stroke, mm | 12.5 | - |
| Lifting speed with/without load, m/s | - | 0.08/0.125 |
| Hoist motor rating, kW | - | 0.8 |
| Battery voltage, capacity, V/Ah | - | 12/100 |
| Battery charger, V/A | - | 12/10 |
| Weight, kg | 134 | 152 |
| Battery weight, kg | - | 25 |

¹PUR... Polyurethane





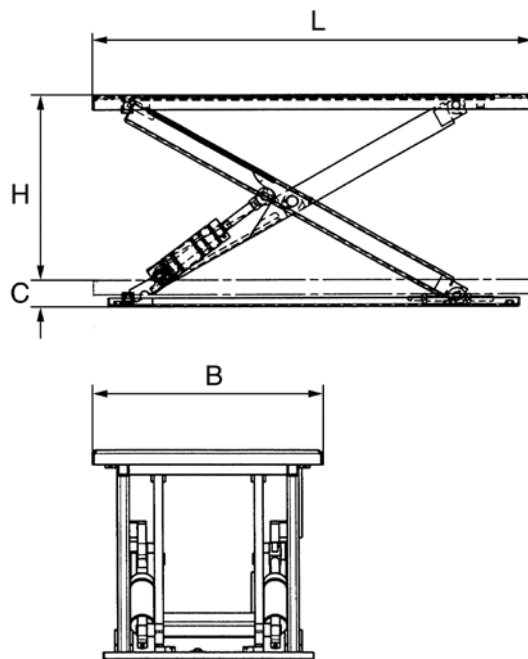
HTF-G SILVERLINE Flat scissor lifting table

Capacity 1000 kg

For the professional lifting and handling of loads within a warehouse environment.

Features

- Extremely low-profile design reducing cost and effort for a pit-installation.
- The ramp allows loading the platform directly with a pallet truck or trolley.
- Safe operation due to push-button for up/down in dead man's control, as well as emergency stop.
- Overload protection by pressure control valve.
- Integrated pipe burst valve and mechanical rests safe maintenance and operation.
- According to DIN EN 1570-1 and all UVV safety regulations.



Technical data HTF-G

| Model | HTF-G |
|----------------------------|----------|
| Art.-No. | 40047380 |
| Capacity, kg | 1000 |
| Platform length L, m | 1.45 |
| Platform width B, m | 1.14 |
| Platform height min. C, mm | 82 |
| Lift H, m | 0.76 |
| Lifting time, sec. | 18 |
| Motor, kW | 0.75 |
| Weight, kg | 250 |

HTF-U SILVERLINE Flat scissor lifting table

Capacity 1000 kg

For the professional lifting and handling of loads within a warehouse environment.

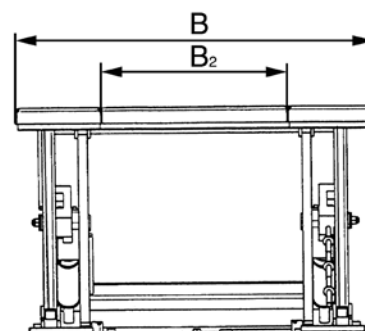
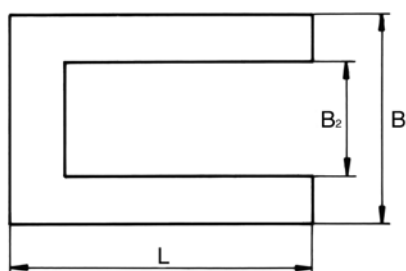
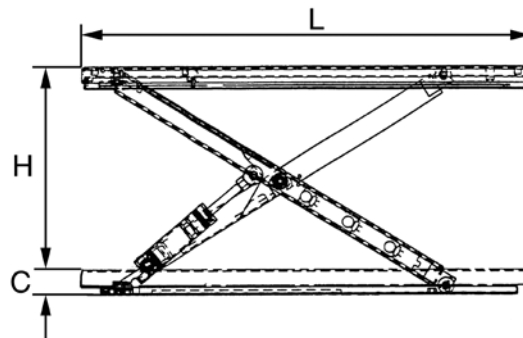
Features

- Extremely low-profile design lowering the cost and effort for a pit installation.
- U-design for direct access of industrial trucks.
- Safe operation due to push-button for up/down in dead man's control, as well as emergency stop.
- Overload protection by pressure control valve.
- Integrated pipe burst valve and mechanical rests safe maintenance and operation.
- According to DIN EN 1570-1 and all UVV safety regulations.



Technical data HTF-U SILVERLINE

| Model | HTF-U |
|------------------------------|----------|
| Art.-No. | 40047381 |
| Capacity, kg | 1000 |
| Platform B ₂ , mm | 585 |
| Platform length L, m | 1.45 |
| Platform width B, m | 1.14 |
| Platform height min. C, mm | 80 |
| Lift H, m | 0.76 |
| Lifting time, sec. | 18 |
| Motor, kW | 0.75 |
| Weight, kg | 235 |



HTH-E SILVERLINE Handling lifting table

Capacity 500 - 3000 kg

For the professional lifting and handling of heavy loads and palletised goods at workplaces.

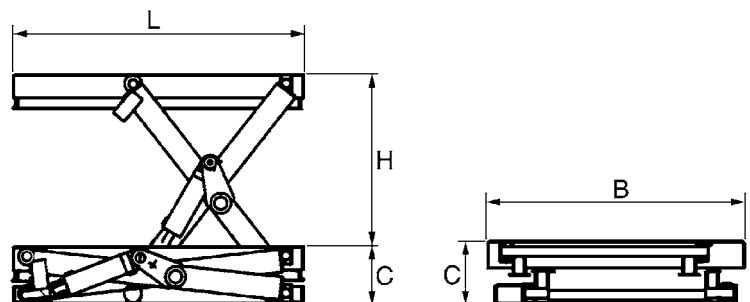
Features

- Smooth hydraulic ram action of working height for ergonomic working conditions.
- Safe operation due to push-button for up/down in dead man's control, as well as emergency stop.
- Overload protection by pressure control valve
- Integrated pipe burst valve and mechanical rests safe maintenance and operation.
- According to DIN EN 1570-1 and all UVV safety regulations.



Technical data HTH-E SILVERLINE

| Model | HTH-E | HTH-E | HTH-E | HTH-E |
|----------------------------|----------|----------|----------|----------|
| Art.-No. | 40049470 | 40049471 | 40049472 | 40049473 |
| Capacity, kg | 500 | 1000 | 2000 | 3000 |
| Platform length L, m | 1.3 | 1.3 | 1.3 | 1.3 |
| Platform width B, m | 0.8 | 0.8 | 0.8 | 0.8 |
| Platform height min. C, mm | 190 | 190 | 190 | 220 |
| Lift H, m | 0.82 | 0.82 | 0.82 | 0.80 |
| Lifting time, sec. | 15.0 | 25 | 40 | 26 |
| Motor, kW | 0.75 | 0.75 | 0.75 | 1.50 |
| Weight, kg | 160 | 220 | 280 | 320 |



HTP SILVERLINE Handling lifting table

Capacity 500 - 3000 kg

For the professional lifting and handling of heavy loads and palletised goods at workplaces.

Features

- Smooth hydraulic ram action of working height for ergonomic working conditions.
- Safe operation due to push-button for up/down in dead man's control, as well as emergency stop.
- Overload protection by pressure control valve
- Integrated pipe burst valve and mechanical rests safe maintenance and operation.
- According to DIN EN 1570-1 and all UVV safety regulations.



Technical data HTP

| Model | HTP 5 - 800 |
|---------------------|-------------|
| Art.-No. | 192081630 |
| Capacity, kg | 500 |
| Platform length, mm | 1250 |
| Platform width, mm | 800 |
| Lifting height, mm | 800 |

| Model | HTP 10 - 800 | HTP 10 - 800 | HTP 10 - 800 | HTP 10 - 800 | HTP 10 - 1000 | HTP 10 - 1000 | HTP 10 - 1000 | HTP 10 - 1000 |
|---------------------|--------------|--------------|--------------|--------------|---------------|---------------|---------------|---------------|
| Art.-No. | 192082893 | 192082894 | 192082895 | 192082896 | 192040153 | 192040199 | 192040200 | 192040201 |
| Capacity, kg | 1000 | 1000 | 1000 | 1000 | 1000 | 1000 | 1000 | 1000 |
| Platform length, mm | 1250 | 1450 | 1250 | 1450 | 1500 | 1700 | 1500 | 1700 |
| Platform width, mm | 800 | 800 | 1000 | 1000 | 1000 | 1000 | 1200 | 1200 |
| Lifting height, mm | 800 | 800 | 800 | 800 | 1000 | 1000 | 1000 | 1000 |

| Model | HTP 20 - 800 | HTP 20 - 800 | HTP 20 - 800 | HTP 20 - 800 | HTP 20 - 1250 | HTP 20 - 1250 | HTP 20 - 1250 | HTP 20 - 1250 |
|---------------------|--------------|--------------|--------------|--------------|---------------|---------------|---------------|---------------|
| Art.-No. | 192046864 | 192046865 | 192046866 | 192046867 | 192048080 | 192048081 | 192048082 | 192048083 |
| Capacity, kg | 2000 | 2000 | 2000 | 2000 | 2000 | 2000 | 2000 | 2000 |
| Platform length, mm | 1350 | 1500 | 1350 | 1500 | 1800 | 2000 | 1800 | 2000 |
| Platform width, mm | 1000 | 1000 | 1200 | 1200 | 1000 | 1000 | 1200 | 1200 |
| Lifting height, mm | 800 | 800 | 800 | 800 | 1250 | 1250 | 1250 | 1250 |