

ETA-8 TELESCOPING UNITS

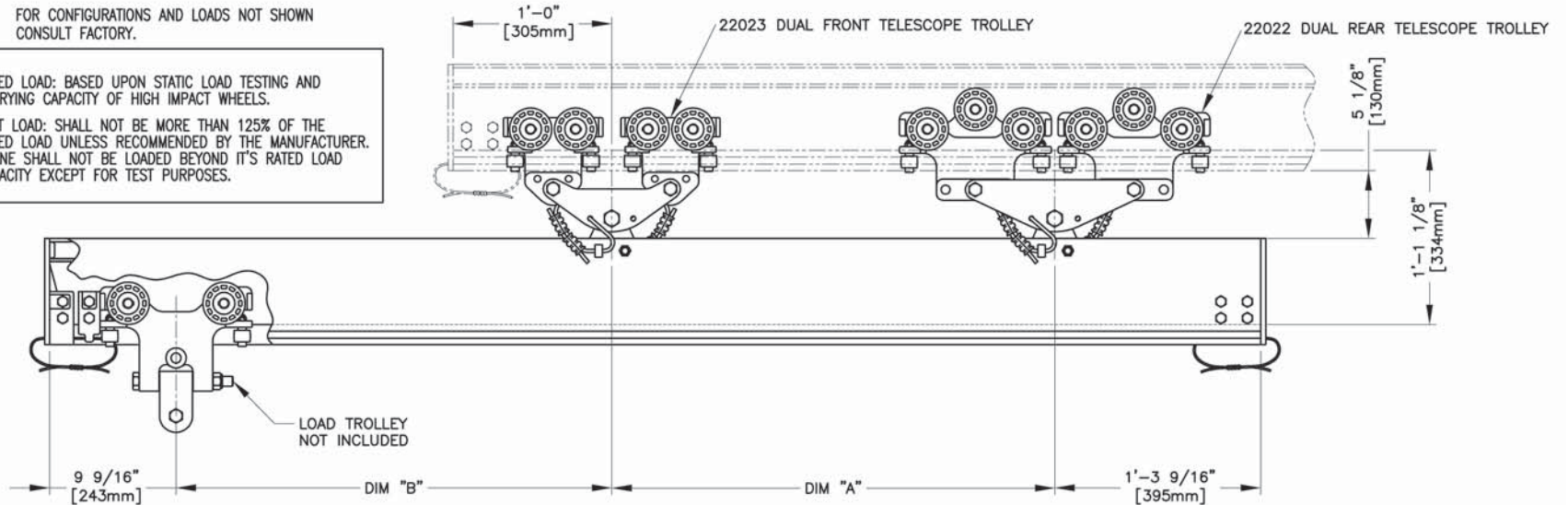
ETA-8 TELESCOPE UNIT WITH DUAL TROLLEYS FRONT AND REAR															
"A"	"B"	RATED LOAD		"A"	"B"	RATED LOAD		"A"	"B"	RATED LOAD		"A"	"B"	RATED LOAD	
		1/250	1/450			1/250	1/450			1/250	1/450			1/250	1/450
24 INCH	24 in.	975 lbs.	975 lbs.	36 INCH	24 in.	1170 lbs.	1170 lbs.	48 INCH	24 in.	1300 lbs.	1300 lbs.	60 INCH	24 in.	1390 lbs.	1390 lbs.
	36 in.	655 lbs.	655 lbs.		36 in.	955 lbs.	955 lbs.		36 in.	1105 lbs.	990 lbs.		36 in.	1210 lbs.	870 lbs.
	48 in.	480 lbs.	480 lbs.		48 in.	740 lbs.	740 lbs.		48 in.	960 lbs.	650 lbs.		48 in.	1050 lbs.	575 lbs.
	60 in.	375 lbs.	375 lbs.		60 in.	580 lbs.	510 lbs.		60 in.	790 lbs.	455 lbs.		60 in.	750 lbs.	410 lbs.
72 in.	305 lbs.	305 lbs.	72 in.	475 lbs.	370 lbs.	72 in.	615 lbs.	330 lbs.	72 in.	560 lbs.	300 lbs.	72 in.	515 lbs.	275 lbs.	

NOTE:

FOR CONFIGURATIONS AND LOADS NOT SHOWN
CONSULT FACTORY.

RATED LOAD: BASED UPON STATIC LOAD TESTING AND
CARRYING CAPACITY OF HIGH IMPACT WHEELS.

TEST LOAD: SHALL NOT BE MORE THAN 125% OF THE
RATED LOAD UNLESS RECOMMENDED BY THE MANUFACTURER.
CRANE SHALL NOT BE LOADED BEYOND IT'S RATED LOAD
CAPACITY EXCEPT FOR TEST PURPOSES.



ETA-8 TELESCOPE UNIT WITH DUAL TROLLEY FRONT AND REAR															
"A"	"B"	RATED LOAD		"A"	"B"	RATED LOAD		"A"	"B"	RATED LOAD		"A"	"B"	RATED LOAD	
		1/250	1/450			1/250	1/450			1/250	1/450			1/250	1/450
610 mm	610mm	442 Kg.	442 Kg.	914 mm	610mm	531 Kg.	531 Kg.	1219 mm	610mm	590 Kg.	590 Kg.	1524 mm	610mm	630 Kg.	630 Kg.
	914mm	297 Kg.	297 Kg.		914mm	433 Kg.	433 Kg.		914mm	501 Kg.	449 Kg.		914mm	549 Kg.	395 Kg.
	1219mm	218 Kg.	218 Kg.		1219mm	336 Kg.	336 Kg.		1219mm	435 Kg.	295 Kg.		1219mm	476 Kg.	261 Kg.
	1524mm	170 Kg.	170 Kg.		1524mm	263 Kg.	231 Kg.		1524mm	358 Kg.	206 Kg.		1524mm	340 Kg.	186 Kg.
	1829mm	138 Kg.	138 Kg.		1829mm	215 Kg.	168 Kg.		1829mm	279 Kg.	150 Kg.		1829mm	254 Kg.	136 Kg.
610mm	442 Kg.	442 Kg.	914mm	433 Kg.	433 Kg.	1219mm	435 Kg.	295 Kg.	1524mm	340 Kg.	186 Kg.	1829mm	234 Kg.	125 Kg.	