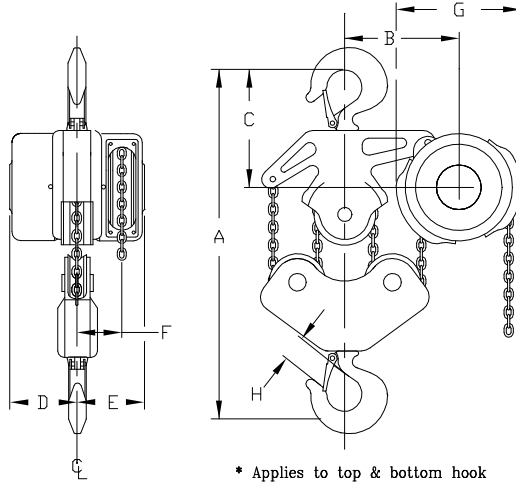


- A 31 13/16"
- B 8 1/2"
- C 13 1/4"
- D 5"
- E 5"
- F 3 1/4"
- G 11 1/2"
- * H 3 1/32"

SPARK RES'T. UNIT



THIS DRAWING SUPPLIED FOR DIMENSIONAL PURPOSES ONLY
VISUAL DETAILS MAY VARY SLIGHTLY FROM UNIT SUPPLIED
HOWEVER DIMENSIONS SHOWN APPLY

		8 TON HOOK TYPE ZSGH	DR. RLB	TR.	CK.	AP.
		CHESTER HOIST LISBON, OHIO	SCALE NONE		DATE 12/14/07	
			REF. DWG. NO. 8ton zsghlight			
MK.	REVISIONS	CK-DATE	Dwg. No. CN173			