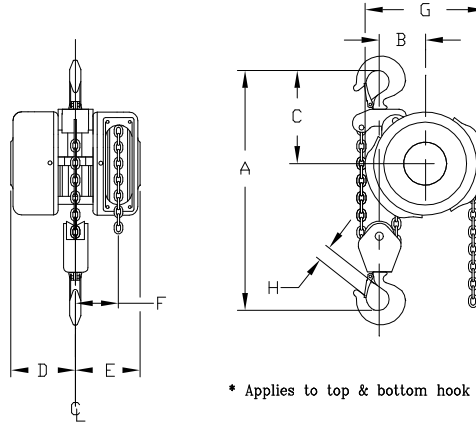


- A 26 1/4"
- B 4 7/8"
- C 11 3/8"
- D 5"
- E 5"
- F 3 1/4"
- G 11 1/2"
- * H 2 7/32"

SPARK RES'T. UNIT



* Applies to top & bottom hook

THIS DRAWING SUPPLIED FOR DIMENSIONAL PURPOSES ONLY
VISUAL DETAILS MAY VARY SLIGHTLY FROM UNIT SUPPLIED
HOWEVER DIMENSIONS SHOWN APPLY

		4 TON HOOK TYPE ZSGH		DR. RLB	TR.	CK.	AP.
		CHESTER HOIST LISBON, OHIO		SCALE NONE		DATE 11/1/07	
				REF. DWG. NO.			
MK.		REVISIONS		CK-DATE		Dwg. No. CN170	