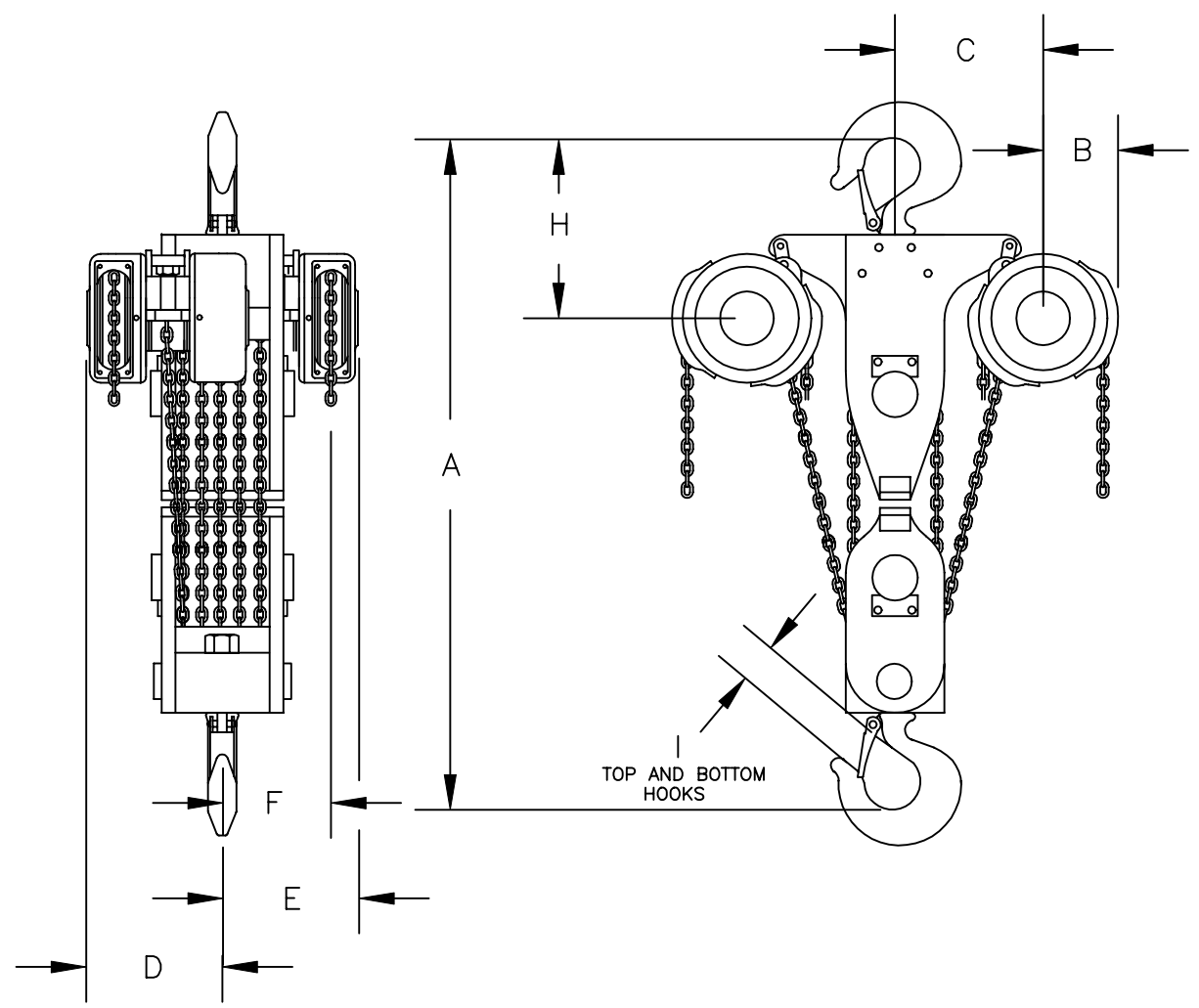


- A 56 3/8"
- B 5 3/4"
- C 11 1/8"
- D 9 1/8"
- E 9 1/8"
- F 7 3/8"
- H 15 1/8"
- I 3 5/8"



MK.	REVISIONS	CK-DATE

20 TON SPUR  
GEARED HOIST

**CHESTER HOIST**  
LISBON, OHIO

DR. RLB	TR.	CK.	AP.
SCALE NONE		DATE 6-19-00	
REF. DWG. NO.		HLSG20 3/97	
Dwg. No. CD028			