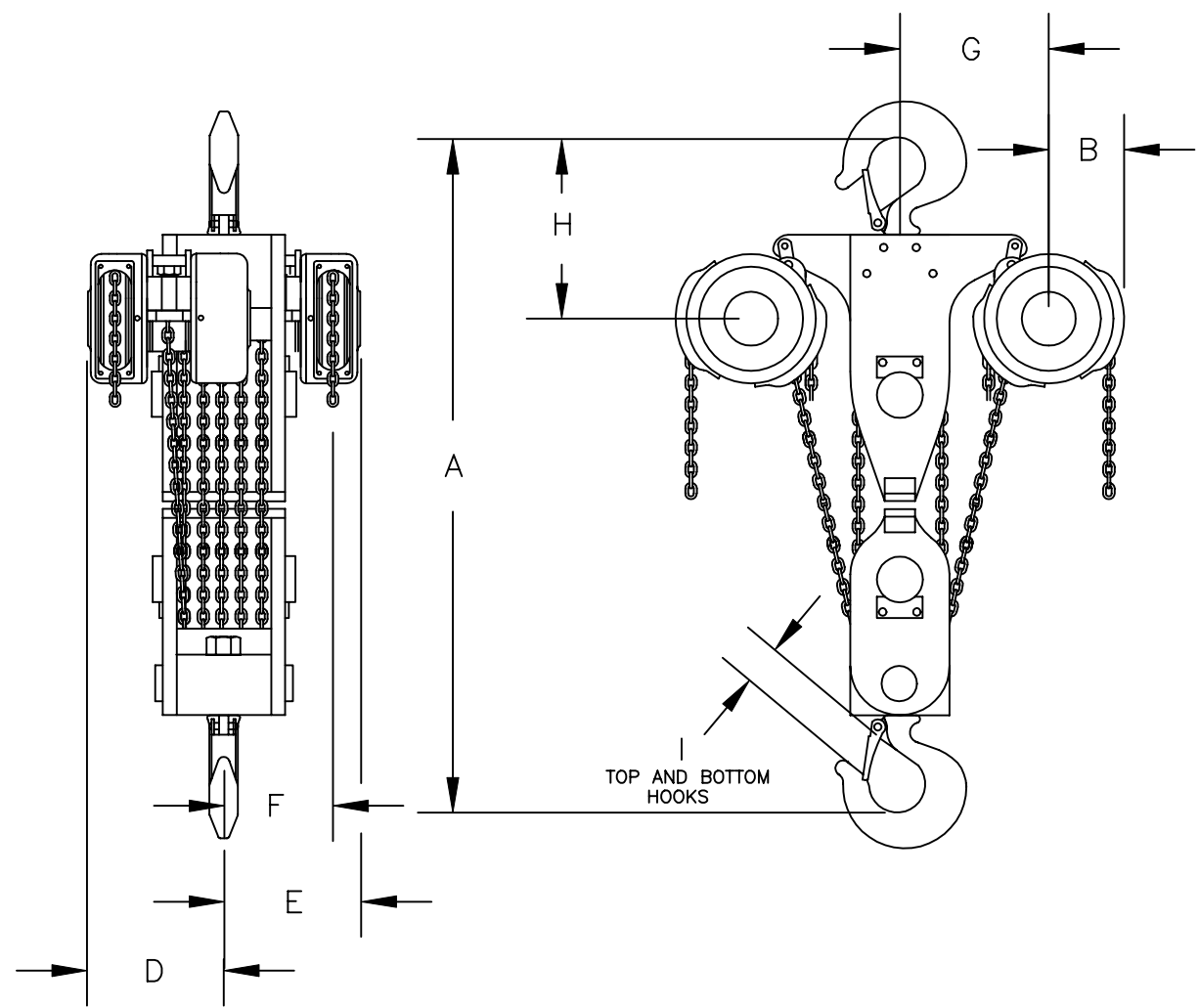


- A 49 5/8"
- B 5 3/4"
- D 7 5/16"
- E 7 5/16"
- F 5 9/16"
- G 11 1/8"
- H 13 9/16"
- I 3"



MK.	REVISIONS	CK-DATE

12 TON HOOK TYPE SPUR  
GEARED HOIST

**CHESTER HOIST**  
LIBSON, OHIO

DR. RLB	TR.	CK.	AP.
SCALE NONE		DATE 6-19-00	
REF. DWG. NO.		ZSGH12	
Dwg. No. CD026			