

A 30 3/4"

B 10 1/4"

C 10 5/8"

D 5"

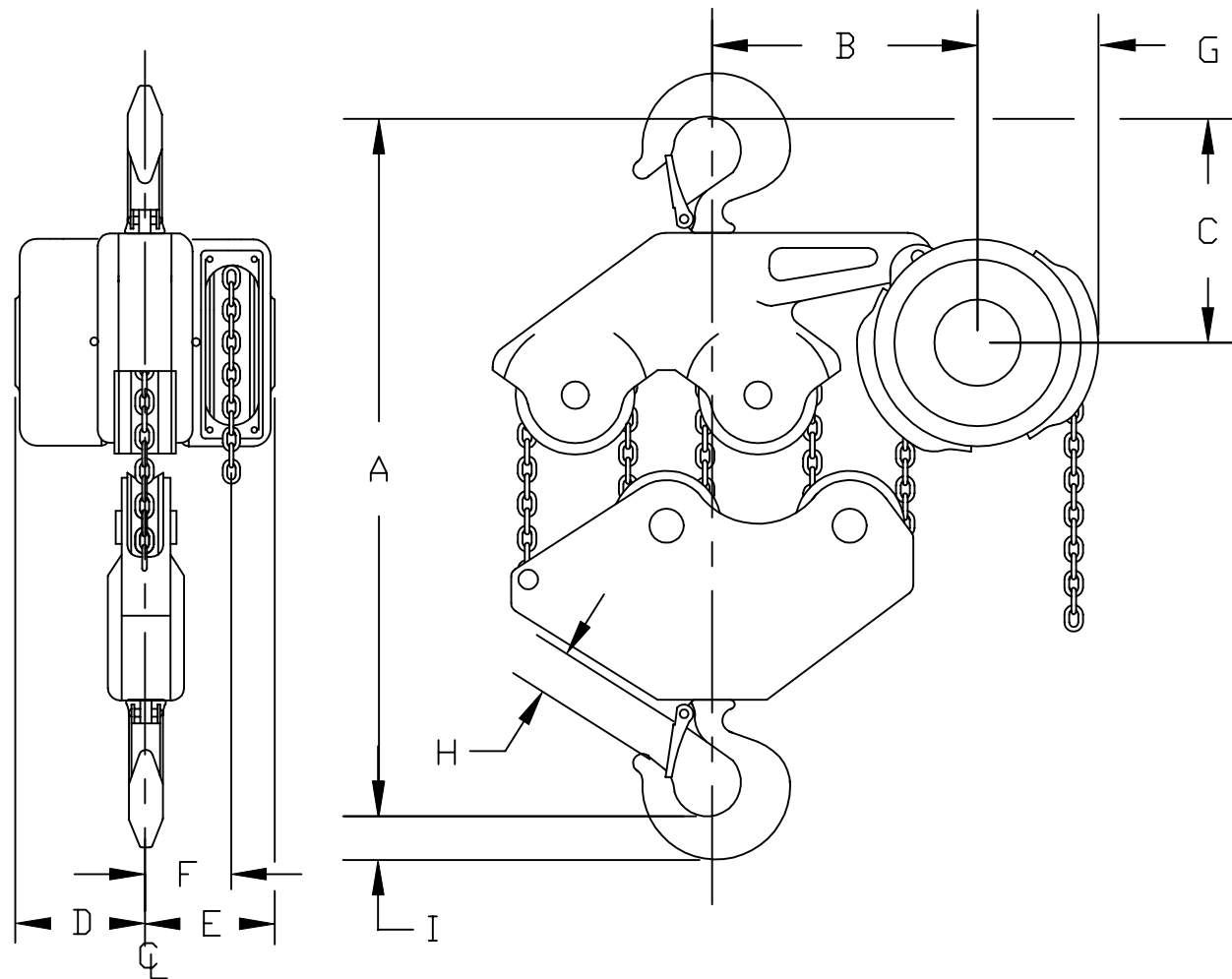
E 5"

F 3 1/4"

G 5 3/4"

* H 2 1/4"

* I 2 19/32"



* DIM. FOR TOP & BOTTOM HOOK

MK.	REVISIONS	CK-DATE

10 TON ZEPHYR
 HOOK SUSPENDED SPUR GEARED HOIST
CHESTER HOIST
 LISBON, OHIO

DR. RLB	TR.	CK.	AP.
SCALE NONE		DATE 6-19-00	
REF. DWG. NO.		ZSGH10	

Dwg. No. CD025