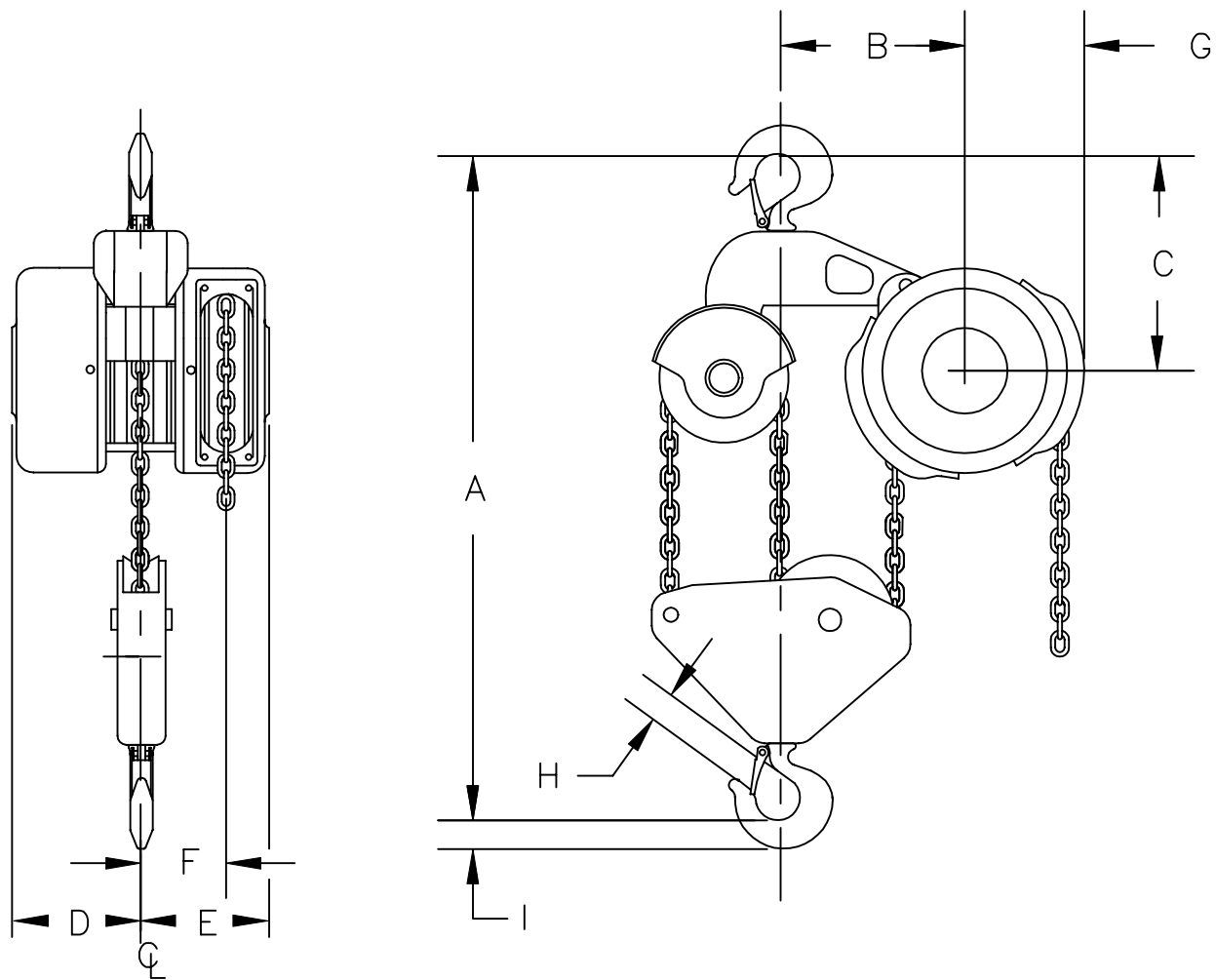


- A 25 1/2"
- B 6 3/8"
- C 10 1/2"
- D 5"
- E 5"
- F 3 1/4"
- G 5 3/4"
- * H 1 11/16"
- * I 1 13/16"



* DIM. FOR TOP & BOTTOM HOOK

MK.	REVISIONS	CK-DATE

5 & 6 TON
 HOOK SUSPENDED SPUR GEARED HOIST
CHESTER HOIST
 LISBON, OHIO

DR. RLB	TR.	CK.	AP.
SCALE NONE		DATE 6-19-00	
REF. DWG. NO.		5ZSGH	
Dwg. No. CD023			