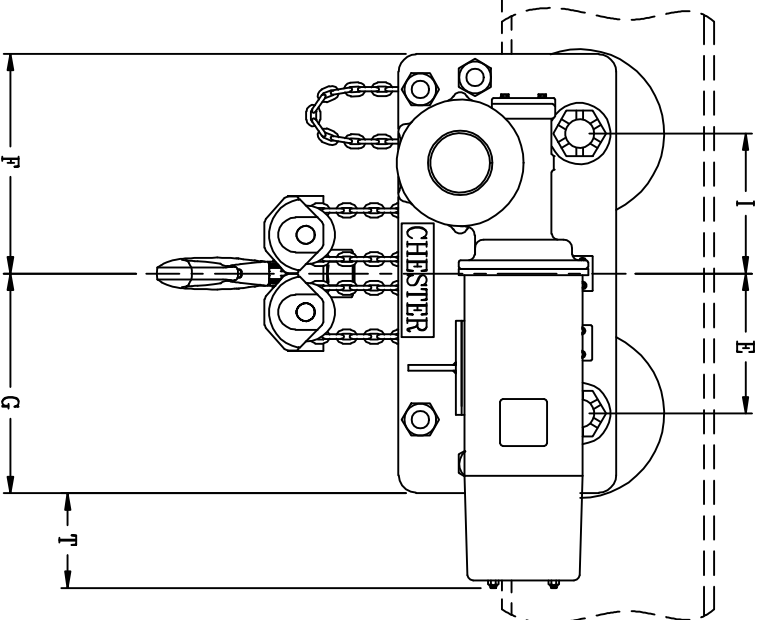
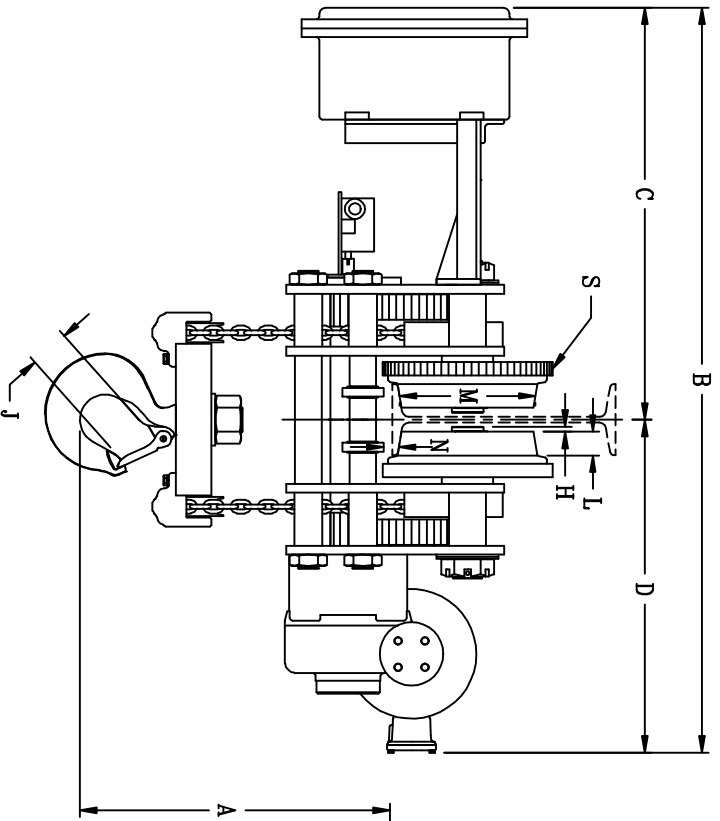


SPARK RESISTANT
 -BRONZE HOOK
 -STAINLESS STEEL CHAIN



A	19"
B	63 1/4"
C	35"
D	28 1/4"
E	11 7/8"
F	18 5/8"
G	18 5/8"
H	7/16"
I	11 7/8"
J	3 11/32"
L	2"
M	11 3/4"
N	1 1/8"
R	xx
S	14 13/32"
T	8"

* TO WHEEL RUNNING SURFACE OF BEAM
 # TO UNDER BEAM ROLLER - (CLOSEST POINT OF CONTACT)
 FROM THE FACE OF THE WHEEL TO END OF THE AXLE
 CUSTOMER MUST TAKE INTO CONSIDERATION FLANGE WIDTH AND THICKNESS OF BEAM
 DIMENSIONS SHOWN ARE CORRECT FOR ANY "S" OR "W" BEAM, PLAIN, HAND GEARED OR MOTORIZED TROLLEY.
 FLAT TREAD WHEELS, NOT SHOWN, ARE SUPPLIED FOR "W" BEAM APPLICATIONS
 NOTE: THIS UNIT OPERATES ONLY ON THE BEAM SPECIFIED

12 TON ELECTRIC LOW HEADROOM HOIST

CHESTER HOIST

LISBON, OHIO

MK.	REVISIONS	CK-DATE

DR. MAM	TR.	CK.	AP.
SCALE NONE		DATE 9/24/08	

Dwg. No. C-49226