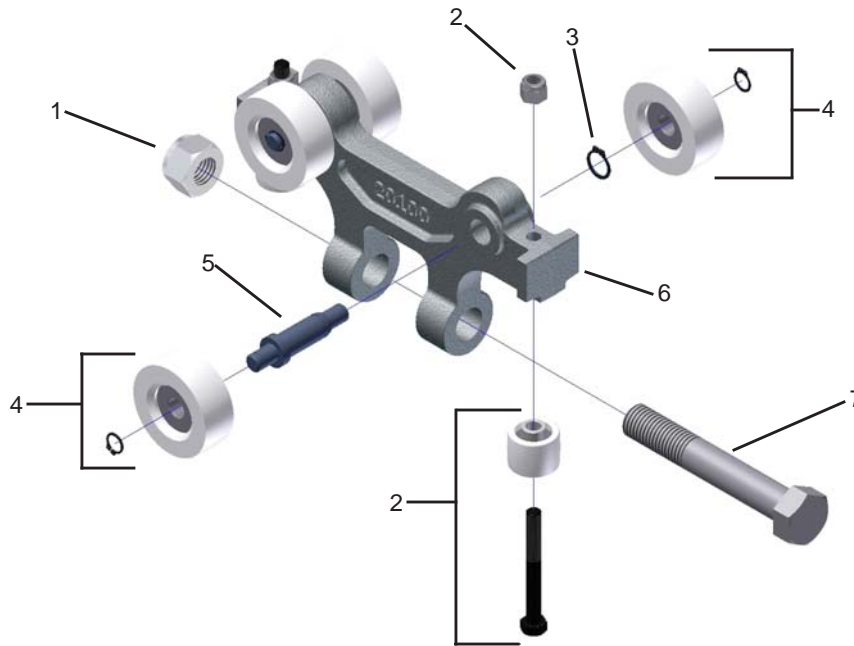


20100 ETA-4/5 SHORT BODY LOAD TROLLEY

| REF. | STOCK CODE | DESCRIPTION | QUANTITY | REF. | STOCK CODE | DESCRIPTION | QUANTITY |
|------|------------|--------------------------|----------|------|------------|--------------------------|----------|
| 1 | 52455 | M16x2.0 Nylon Insert Nut | 1 | 5 | 57130 | 431 ETA-4 Wheel Stud | 2 |
| 2 | 25159 | ETA-4 Guide Roller Assy | 2 | 6 | 59790M | 401A Casting | 1 |
| 3 | 55060 | N-5100-50 Snap Ring | 2 | 7 | 51900 | M16x2.0x100mm CL 8.8 HHB | 1 |
| 4 | 28000 | 437 1.8 White Wheel | 4 | | | | |



| REF. | STOCK CODE | DESCRIPTION | QUANTITY |
|------|------------|--------------------------|----------|
| 1 | 52455 | M16x2.0 Nylon Insert Nut | 1 |
| 2 | 25159 | ETA-4 Guide Roller Assy | 2 |
| 3 | 55060 | N-5100-50 Snap Ring | 2 |
| 4 | 28000 | 437 1.8 White Wheel | 4 |
| 5 | 57130 | 431 ETA-4 Wheel Stud | 2 |
| 6 | 59800M | 401B Casting | 1 |
| 7 | 51900 | M16x2.0x100mm CL 8.8 HHB | 1 |

20110 ETA-4/5 LONG BODY LOAD TROLLEY

