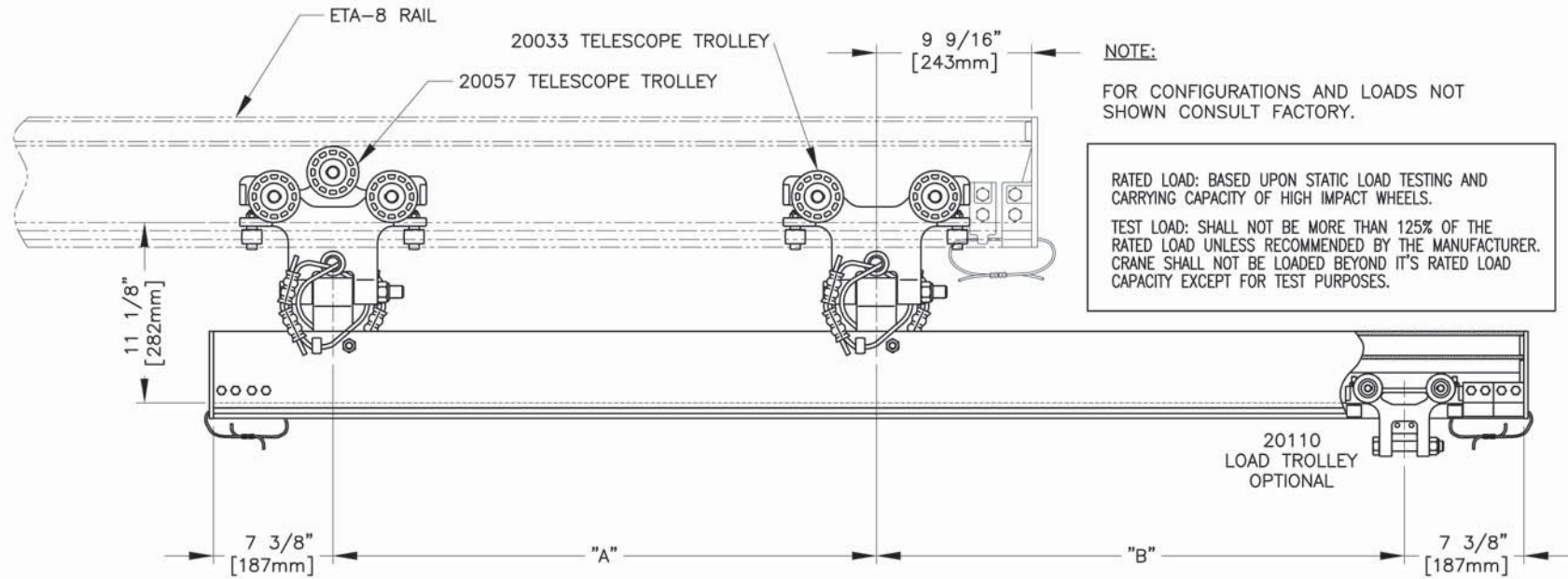


# ETA-5 TELESCOPING UNITS WITH ETA-8 TROLLEYS



**NOTE:**

FOR CONFIGURATIONS AND LOADS NOT SHOWN CONSULT FACTORY.

RATED LOAD: BASED UPON STATIC LOAD TESTING AND CARRYING CAPACITY OF HIGH IMPACT WHEELS.  
 TEST LOAD: SHALL NOT BE MORE THAN 125% OF THE RATED LOAD UNLESS RECOMMENDED BY THE MANUFACTURER. CRANE SHALL NOT BE LOADED BEYOND IT'S RATED LOAD CAPACITY EXCEPT FOR TEST PURPOSES.

ETA-5 TELESCOPE UNIT WITH ETA-8 TROLLEYS																						
"A"	"B"	RATED LOAD		"A"	"B"	RATED LOAD		"A"	"B"	RATED LOAD		"A"	"B"	RATED LOAD								
		1/250	1/450			1/250	1/450			1/250	1/450			1/250	1/450							
18 INCH	24 in.	370 lbs.	370 lbs.	24 INCH	24 in.	485 lbs.	485 lbs.	30 INCH	24 in.	540 lbs.	540 lbs.	36 INCH	24 in.	585 lbs.	500 lbs.	48 INCH	24 in.	650 lbs.	415 lbs.			
	36 in.	240 lbs.	240 lbs.		36 in.	325 lbs.	325 lbs.		36 in.	435 lbs.	300 lbs.		36 in.	480 lbs.	275 lbs.		36 in.	425 lbs.	235 lbs.	48 in.	275 lbs.	150 lbs.
	48 in.	175 lbs.	175 lbs.		48 in.	240 lbs.	200 lbs.		48 in.	340 lbs.	185 lbs.		48 in.	315 lbs.	170 lbs.		48 in.	275 lbs.	150 lbs.			

ETA-5 TELESCOPE UNIT WITH ETA-8 TROLLEYS																						
"A"	"B"	RATED LOAD		"A"	"B"	RATED LOAD		"A"	"B"	RATED LOAD		"A"	"B"	RATED LOAD								
		L/250	L/450			L/250	L/450			L/250	L/450			L/250	L/450							
457 mm	610mm	168 Kg.	168 Kg.	610 mm	610mm	220 Kg.	220 Kg.	762 mm	610mm	245 Kg.	245 Kg.	914 mm	610mm	265 Kg.	227 Kg.	1219 mm	610mm	295 Kg.	188 Kg.			
	914mm	109 Kg.	109 Kg.		914mm	147 Kg.	147 Kg.		914mm	197 Kg.	136 Kg.		914mm	218 Kg.	125 Kg.		914mm	193 Kg.	107 Kg.	914mm	193 Kg.	107 Kg.
	1219mm	79 Kg.	79 Kg.		1219mm	109 Kg.	91 Kg.		1219mm	154 Kg.	84 Kg.		1219mm	143 Kg.	77 Kg.		1219mm	125 Kg.	68 Kg.			